



## 1. Product Name

Collar

## 2. Product Code

14694

## 3. Colour

Transparent

## 4. Brief Description

The adjustable collar secures the bubble tube to the wall for stability and safety.

## 5. Contents

- 1 x collar

## 6. Snoezelen® Stimulations

- Not applicable

## 7. Best Use

Use to secure a bubble tube to the wall.

## 8. Compatible ROMPA® Products

19772-75 – Maxi Bubble Tube

19777-80 – Aquatic Bubble Tube

19723 – Light Diffraction Totem

## 9. Starting Up

- Slip the collar over the top of the bubble tube and secure it to the wall.

## 10. Detailed Description

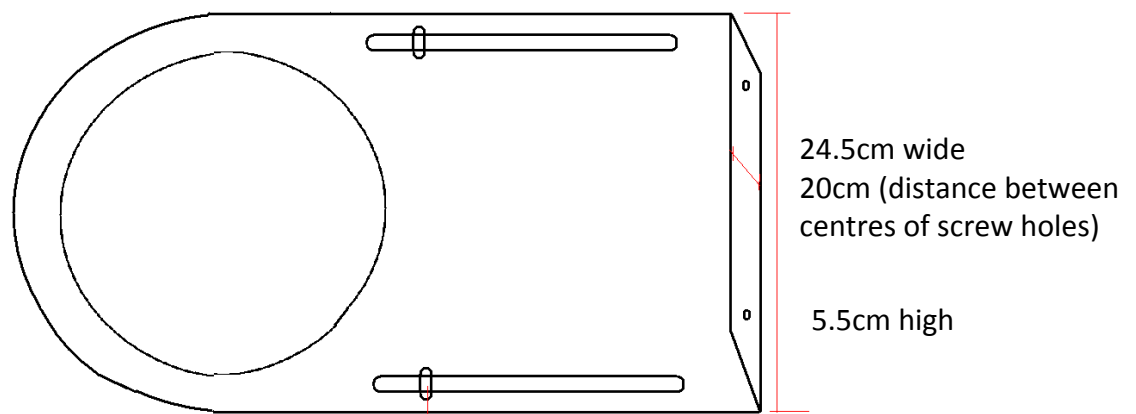
We recommend the use of a collar for further stability. The transparent collar fits over the top of the Bubble Tube and is secured to the wall. The length of the collar can be adjusted to accommodate different sized cushioned platforms. Choose the appropriate collar according to the diameter of your Bubble Tube. To be purchased separately from the bubble tube.

## 11. Safety

- Do not apply weight or exert pressure on the collar.

## 12. Technical Specification

Size: 35.5cmL (extends to 47cmL)



### **13. Installation**

1. Choose a suitable location for your collar (towards the top of your bubble tube, but not at the very top). Make sure there are no pipes, cables etc behind the collar.
2. Slip the collar over the top of the bubble tube.
3. Adjust the length of the collar as required by releasing the wing nuts.
4. Mark the position of the screw holes on the wall.
5. Drill holes in the wall where you have marked.
6. Attach the collar to the wall using fixings appropriate to the construction of your wall (to be purchased separately).
7. Make sure the wing nuts of the collar are secure.
8. Remove the plastic film from the collar.

### **14. Care and Maintenance**

- Wipe clean with a soft, slightly dampened cloth. Avoid abrasive cleaning products that could scratch the plastic.

### **15. Troubleshooting**

*Not applicable*

Further copies of these instructions can be downloaded at [www.rompa.com](http://www.rompa.com)

We hope you find our instructions invaluable. If you have any suggestions for improving them further your comments will be greatly received – please contact us at [producthelp@rompa.com](mailto:producthelp@rompa.com)