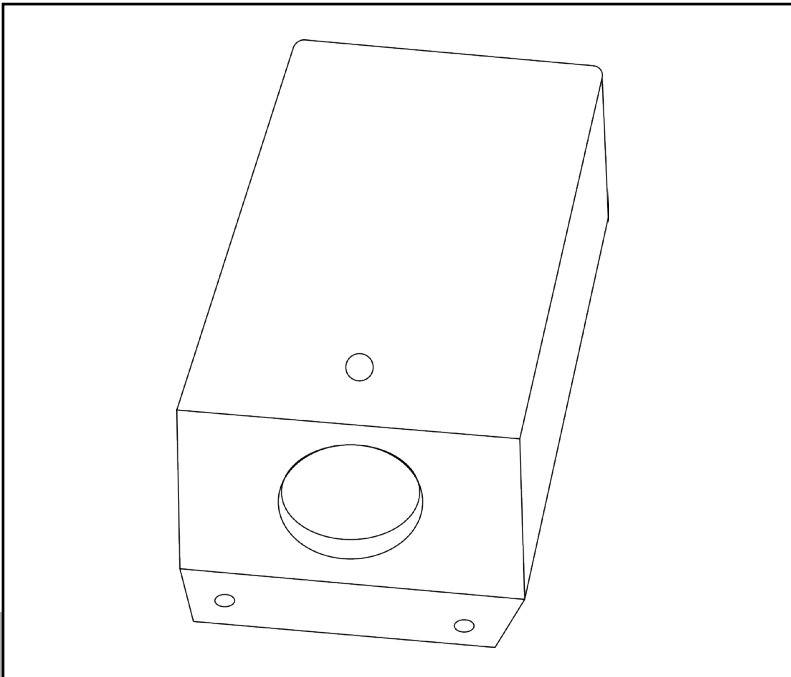




Life Changing Sensory Solutions For All

snoezelen®

INSTRUCTION MANUAL



LIGHT SOURCE

19210

01.

CONTENTS

CONTENTS

ABOUT THE PRODUCT	4
Product Description.....	5
User Benefits	5
Product Compatibility	5
TECHNICAL SPECIFICATION	6
Included Parts and Materials.....	7
Technical Specification	7
SAFETY AND CARE.....	8
Product Safety and Care Instructions	9
ASSEMBLY & INSTALLATION GUIDE	10
Product Assembly Guide/Installation.....	11
USER GUIDE	12
TROUBLESHOOTING	14

02.

ABOUT THE PRODUCT

Product Description

With LED technology, this Wi-Fi light source is cool-running and maintenance-free. Compatible with an interactive device such as Colour Changing Panel, Wi Fi Microphone, Talking Cubes or 8 Colour Wirefree Controller. Ideal for sensory stimulation, colour recognition, and developing the understanding of cause and effect. Compact and can be wall-mounted.

User Benefits

- Stimulates sight through the light emitted.

Product Compatibility

17903 etc – Super Safe Plastic Fibre Optics

20473 etc – Jumbo 'Bamboo' Fibre Optics

21748 – Shimmering Curtain

17557 etc – Ultra Violet Fibre Optic

11726, 14726 – Milky Way Carpet

Wi-Fi compatibility:

This unit is Wi Fi compatible, and therefore will respond wirelessly to the following products:

- 18870, 20402 - Talking Cubes
- 2871 Colour Command Centre™ Panel
- 19847, 21006 - 8 Colour Wirefree Controller
- 22716 Rompa® Wi-Fi Colour Control Bumpas – Set of 8
- 22867 Wireless Colour Controller Wall Mat
- 19939 – Wi-Fi Interactive Carpet Switch Set
- 21917 – Wi-Fi Microphone by Rompa®
- 21918 Wi Fi Override Transmitter
- 20848, 21098 Sensory Magic Touch Screen
- 21728 Rompa® Wi-Fi App Control Box

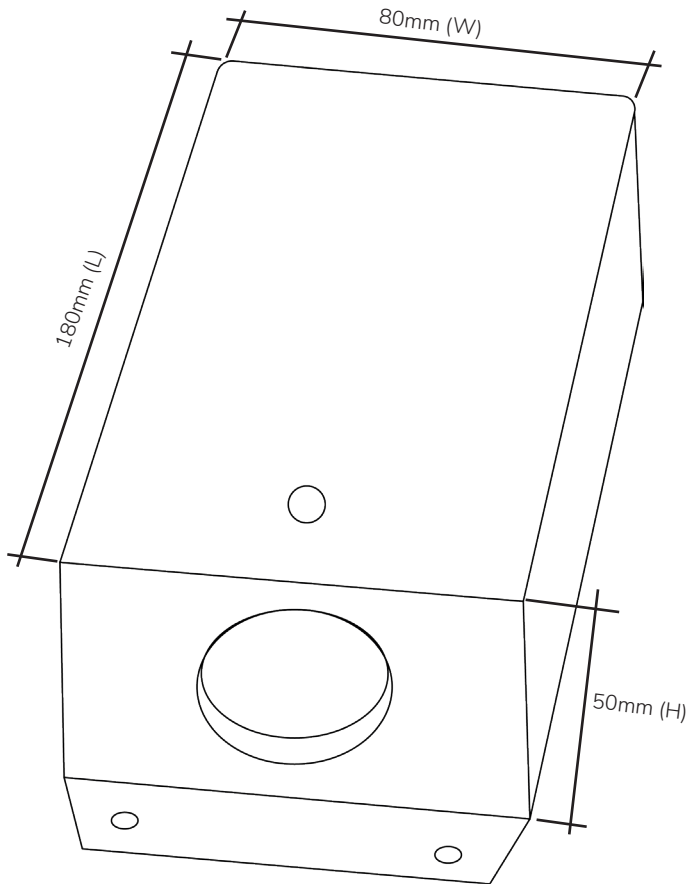
When activated by a Wi-Fi controller, the Rompa® Light Source will automatically change colour to that selected for 1 minute, before resuming automatic mode.

TECHNICAL SPECIFICATION

03.

Technical Specification

- Cable 1750mm long
- Amplifier: code 22956
- Fuses: 10 amp Weight: 470g
- Input: 100-240v AC 50/60Hz 0.25A
- Output: 12v DC 1.25A 15W max
- CE: Meets the requirements of BS EN 9001-2000
- UK Plug: 13 amp



04.

SAFETY AND CARE

Product Safety and Care Instructions

- Always supervise the use of this product, especially with fibre optics.
- Install the light source out of reach of clients.
- The light source is to be used in dry environments. Allow unrestricted airflow around the light source. The ambient temperature should not exceed 40°C.
- Do not allow clients to pull on the fibre optics.
- Should you need to remove the fibre optics, remove the boss with care – release the screw – do not just pull these out with force.



ASSEMBLY & INSTALLATION GUIDE

05.

Product Assembly Guide/Installation

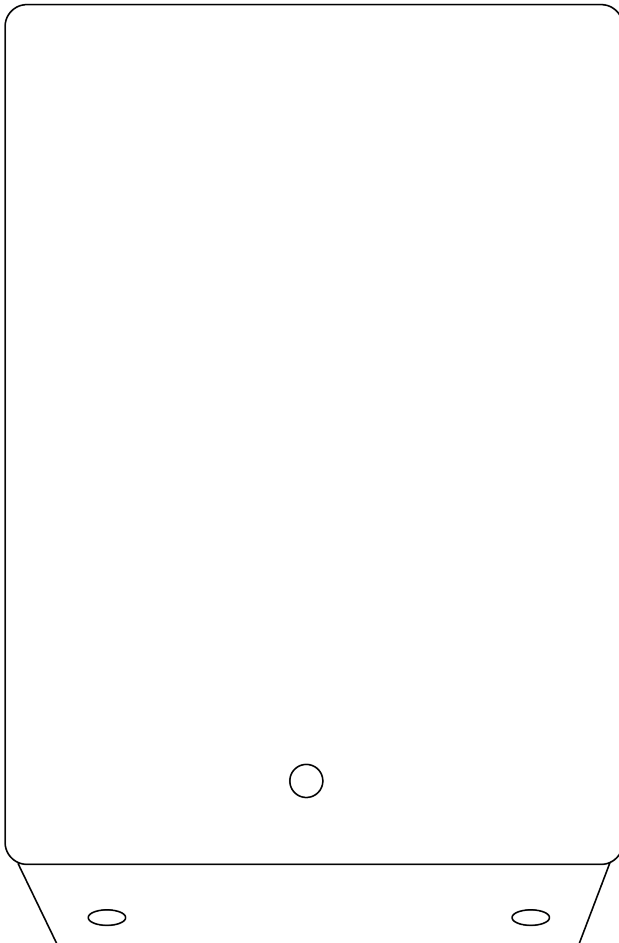
1. Consider the following when choosing the location of your light source:
 - Access to a plug
 - The light source should be installed out of reach of clients
 - The light source is to be used in dry environments
 - If using a shelf or bracket check that these can comfortably hold the weight of the unit
 - Fibre optic products are most visually effective in a darkened environment, not in bright lighting conditions
2. Slide the boss of your fibre optics, Starcloth or Milky Way Carpet into the circular hole in the front face of the light source. When using this with fibre optics, it may be necessary to adjust the position of the boss in the port (i.e. not completely pushed in as far as possible) to allow as many strands as possible to be illuminated.
3. Tighten the screw on the top of the unit to secure the fibre optics into the unit. Please note: if you remove the cover from the light source you have to remove the screw from the top which holds the fibre optics in.
4. Connect the power lead. If the fit does not seem tight, 'wiggle' the lead into the light source, whilst pushing at the same time.
5. Using the ON/OFF rocker switch at the back of the light source, switch the light source on.

USER GUIDE

06.

User Guide

- Slide the boss of your fibre optics or Milky Way Carpet into the circular hole in the front face of the light source.
- Tighten the screw on the top of the unit to secure the fibre optics into the unit.
- Connect the power lead.
- Using the ON/OFF switch at the back of the light source, switch the light source on



TROUBLESHOOTING

07.

Troubleshooting

In the unlikely event of product failure, please check the following:

Problem: No light

- Check that the mains power lead connector is pushed firmly into the light source
- Check the fuse that is in the Mains Power connector fitted to the back of the light source
- Check the fuse in the plug (if UK plug fitted). This should be a 5A standard mains fuse
- Remove any connection to the round black 5 pin socket on the back of the light source.
- Turn the light source OFF, wait 1 minute and then turn ON again.

Problem: Insufficient Brightness from the Light Source

- Ensure that the fibre optic harness is pushed into the front of the light source, and adjusted (pulled away slowly from the very end of the port) to illuminate as many strands as possible. Tighten the top screw on the light port on the front of the light source to prevent the harness from being pulled out.

Problem: Light source sometimes changes colour randomly, and then goes back to its preprogrammed sequence.

- The light source may be picking up Wi-Fi signals from somebody nearby who has a Colour Changing Panel, or 8 Colour Wirefree Controller (or a Sensory Magic room) etc. Problem: Wi-Fi signals from 2 different nearby rooms are interfering with each other.
- If you have 2 neighbouring rooms each using Wi-Fi products, then the devices in both rooms can be controlled by any nearby Wi-Fi controllers. An "All-In-One" Controller would be required to alter the wireless settings to operate without interfering with one another.

snoezelen[®]



Life Changing Sensory Solutions For All

**Rompa[®] Limited, Goyt Side Road,
Chesterfield, S40 2PH**

customer.service@rompa.com

www.rompa.com

19210_170425