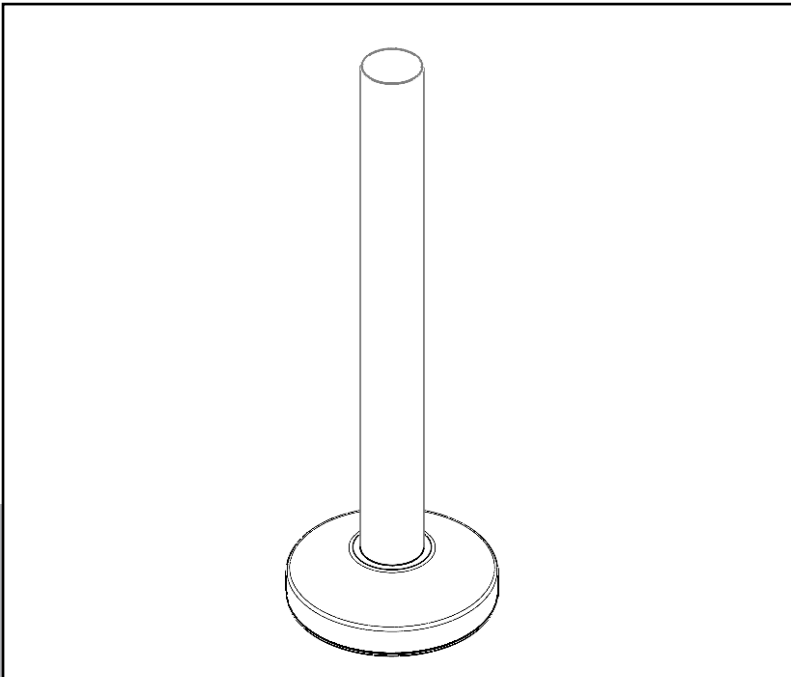




Life Changing Sensory Solutions For All

snoezelen[®]

INSTRUCTION MANUAL



MAXI BUBBLE TUBE

19772 / 19773 / 19774 / 19775

01.

CONTENTS

CONTENTS

ABOUT THE PRODUCT	4
Product Description.....	5
User Benefits	5
Product Compatibility	5
TECHNICAL SPECIFICATION.....	6
Included Parts.....	7
Technical Specification	7
SAFETY AND CARE.....	8
Product Safety and Care Instructions	9
ASSEMBLY & INSTALLATION GUIDE	14
Product Assembly Guide/Installation.....	15
Troubleshooting.....	14
USER GUIDE	20
FEATURES	20
NOTES.....	24

02.

ABOUT THE PRODUCT

Product Description

Maxi Bubble Tubes are multi-sensory products, available in 4 different heights, offering audible, tactile, temperature and visual sensory input. They are suitable for individuals of all ages, attract attention, concentration and engagement. They have 8 colours providing a calming, relaxing ambience. The smooth surface and cooler temperature of the tube provide tactile contrast. It is robust, easy to clean, maintain, operate and assemble, and is latex free.

User Benefits

There are essentially three options when using your bubble tube:

1. Allow your Bubble Tube to function passively – that is to say that the four colours will change in sequence.
2. Use an 8 button controller to control bubbles and the 8 colours – red, white, purple, pink, orange, yellow, blue and green. Please see www.rompa.com for details of this – 19847.
3. Use a Wi Fi controller to remotely control the Bubble Tube, such as the Talking Cubes, 8 Colour Wirefree Controller, Colour Changing Panel etc when used in conjunction with Wi Fi products, the Bubble Tube will be lit in the colour chosen by the user. These controllers allow a choice of up to 8 colours to be selected.

Bubble tubes are used as a focal tool for sensory regulatory activities or used interactively for encouraging visual tracking, colour-recognition, physical movement (reaching, looking up) and hand eye-co-ordination.

Product Compatibility

14694 – Collar for Maxi Bubble Tube
20601 – Rapid Water Change Pump
20698 - BCB Fluid
21193 – Fish and Sea Creatures – Set of 8
21445 – Cubes
14896 etc – Cushioned Platform
11160 - Acrylic Mirror Panels
21006 - ROMPA® 8 colour wirefree switch
19847 – 8 Colour Wirefree Controller
18870 - Talking Cube by ROMPA®
20402 – Mini Talking Cube by ROMPA®
22867 – Wireless Colour Controller Wall mat
22716 – ROMPA® wireless colour control bumpas

TECHNICAL SPECIFICATION

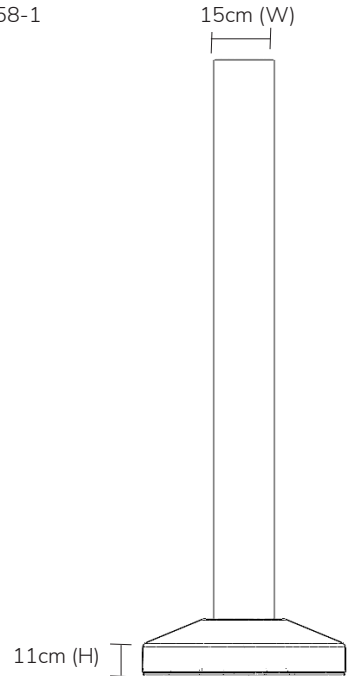
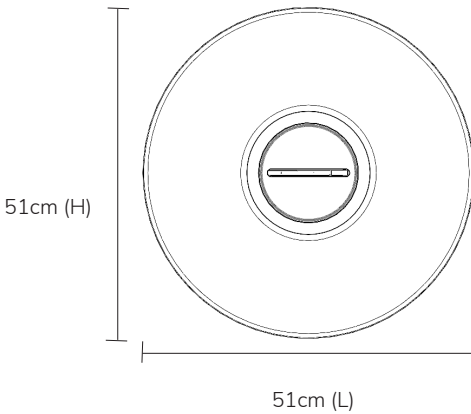
03.

Included Parts

- Base Unit (chassis) with Base Cover (white plastic cover):
- Bubble Tube Column:
- Bubble Tube Cap
- Power Supply
- Drainage tube
- Protective socket cover (supplied in the RJ45 socket of the base)

Technical Specification

- Base height: 11cm
- Tube Diameter: 15cm
- Base Diameter: 51cm
- Total Product Height: 19777: 107cm, 19778: 157cm, 19779: 182cm, 19780: 207cm
- Pump: Schego type WS3
- Power Supply 100 – 240v
- Input 100 – 240V
- Output 15V DC 24W
- UL listed – E1494743G58, meets requirements of BS EN61558-1 and BS EN61558-2-6
- Power Cable: 5.15m approximately



04.

SAFETY AND CARE

Product Safety and Care Instructions

Safety

Always supervise the use of this product.

- Please check equipment immediately for any damage that may have resulted during shipping and contact Rompa® immediately if there are any problems.
- The layout of the activity area, proper installation and maintenance of your equipment is critical; make sure the product is used in a safe and appropriate place and way.
- Care must be taken when carrying a filled Midi Bubble Tube. Hold the tube with one hand and support the base with other.
- Empty the Midi Bubble Tube out of doors as water flow is uncontrollable when the tube is tilted.
- Do not insert anything into the bubble tube base other than the power supply provided and a 17274 Interactive Switch Box.
- Use the bubble tube on a flat, stable surface.

Care and Maintenance

- Regularly change the water and use a suitable water-cleansing agent, such as BCB fluid.
- Wash the exterior of the Maxi Bubble Tube with a slightly soapy cloth. Wipe excess soap away with a damp cloth.
- Never use solvent based cleaning products, methylated spirits, alcohol wipes or liquid detergents to clean the Maxi Bubble Tube.
- This product contains LEDs not lamps – it is highly unlikely that there will be any maintenance required to the LEDs.
- To prevent the growth of microbes in the water change the water monthly, empty the tube altogether if it is not to be used for long periods and do not add bleach, coloured dyes or salt to the water.
- The environment will affect how often the water needs to be changed. Bubble tubes in dark, damp environments with minimal ventilation will need changing at a different frequency to those in bright, well-ventilated rooms.
- Plan for holidays and if the bubble tube will be switched off for long periods, empty the water out.
- If necessary, for example if the tube is used in an area where lime-scale in water is a problem, it may be advisable to use an appropriate water softener.
- **WARNING:** Failure to cleanse your bubble tube water and/or use an appropriate water softener can block bubble tube valves and encourage product failure.

To Empty the Maxi Bubble Tube

- Use the drainage tube provided (see below).



- Connect this tube to the white socket on the bubble tube base, next to the POWER IN socket. Push the end with the black stripe into the white socket till you hear a click to indicate that it is secure. Make sure the other end with the tap is in a suitable container to take the water. Turn the tap to release the water.
- ALWAYS CLOSE THE TAP AFTER EMPTYING THE BUBBLE TUBE
- REMOVE THE DRAINAGE TUBE AND KEEP IT IN A SAFE PLACE
- To remove the drain tube, push on the grey button to release the tube. Removing the drainage tube automatically seals the cloudy pipe of the bubble tube. Empty any water that has remained in the drainage tube. Keep a piece of paper towel to hand to place under the white socket to catch the small amount of water that can be released.



Disconnecting the drainage tube:

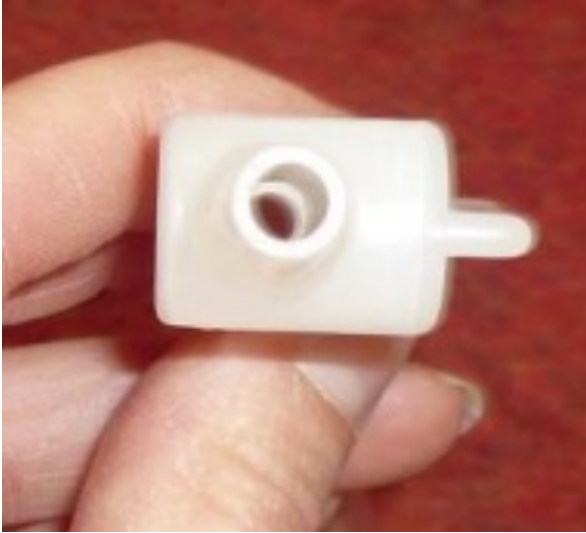


Connecting the drainage tube to the filling pump tube (to be purchased separately):

Connecting the filling pump to the bubble tube power supply:



Before using the tap on the drainage tube, make sure you are aware how turning the tap opens and closes the tube:



OPEN:

When the tap is closed, you will not be able to see down the tube.

Alternatively, use an appropriate pump. Remove the cap (round lid at the top of the tube) and remove the water from the top of the tube using your pump. A pump is available separately from Rompa® : code 20601. This pump can also be used to fill your bubble tube.

General care

- Wash the exterior of the Aquatic Bubble Tube with a slightly soapy cloth. Wipe excess soap away with a damp cloth. NOTE: Never use solvent based cleaning products, methylated spirits, alcohol wipes or liquid detergents to clean the Aquatic Bubble Tube. When you need to switch the bubble tube OFF after use, or before maintenance (e.g. before changing the water) please note that:
- There is no ON/OFF switch on the bubble tube itself, or on the power supply shown below.
- Power should be disconnected by removing the mains plug from the wall socket. Do not disconnect the jack plug of the power supply from the round POWER IN 12V AC socket at the base of the bubble tube. Repeatedly disconnecting the jack plug from this round socket is likely to lead to damage to the bubble tube, and should also be avoided for safety reasons.



ASSEMBLY & INSTALLATION GUIDE

05.

Product Assembly Guide/Installation

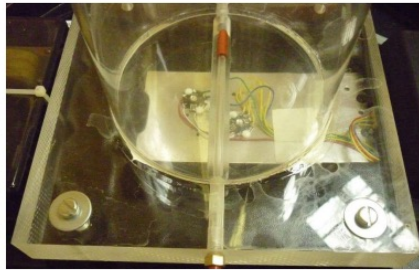
Installation

1. Place on a flat, stable floor that is capable of holding the weight of this product.
2. Remove the plastic base cover from the base unit. Loosen the screws around the perimeter of the base cover, but do not remove them. Slide the base cover free of the screws.



3. The bubble tube column needs to be fitted to the base unit using the four screws provided (shown below on top of silver-coloured washers). Note the location of the valves before screwing in place – orientate the column so the pipes are near to their corresponding valve. See point 5.





4. Attach the cloudy plastic pipe to the blue valve on the Bubble Tube Column



5. Attach the brown plastic pipe, which is already attached to the pump, to the brass valve at the bottom of the Bubble Tube Column.



6. Replace the plastic base cover. If the Bubble Tube is to be used in a Cushioned Platform (padded base), the Base Cover (white plastic cover) may be removed and discarded.
7. Check the lights are working before filling with water. Place the Bubble Tube in its final position as it cannot be moved when full. The Bubble Tube should now be placed on a stable, level surface in preparation to be filled with water. If the surface is not flat, the pump is likely to create more noise than a gentle background 'humming'.
8. Fill with clean water carefully until the required level is achieved. This should be approximately 5cm (2 inches) from the top of the tube. The water level will rise when switched on. Approximate amount of water required: 45 litres. We strongly recommend that you use the drainage tube and a filling pump (e.g. ROMPA®'s 20908) to fill the bubble tube from the bottom of the tube, rather than pouring water into the top of the tube. Whilst the components inside the chassis have some protection against spills and splashes, the best way to avoid water accidentally entering the chassis is to fill the bubble tube using the drainage valve. Make sure that the jug or bucket you are using to draw water from is also clean. Put bubble tube cap (lid) on top of the bubble tube.
9. Put the Fish & Sea creatures into the water.
10. Remove protective plastic film from the Bubble Tube column.



11. There are two screw holes on each side of the Power Supply should you wish to wall mount the unit, or secure it to the floor. Note: please wall mount in a well ventilated area. No fixings are supplied as these depend on the surface the unit will be attached to. The Power Supply box weighs 1.3kg.
12. Plug the Power Supply into the POWER IN 15V DC socket of the bubble tube using the jack plug supplied.



You may wish to use a collar to secure your bubble tube to the wall. The collar 14694 is appropriate for these bubble tubes. We recommend the use of a collar to prevent the bubble tube from being pulled over. Attach your Collar to the wall, to secure the top of the bubble tube.



06.

USER GUIDE

User Guide

Operation

- After following the installation instructions, plug the other end of the Power Supply in at the wall.
- The green LED light will be lit. The unit will begin to flash, displaying a sequence of coloured lights, and bubbles will begin to rise up the tube. Turn the wheel labelled 'SPEED' on the white Base Cover to adjust the speed of the light change.

Using the Deluxe 8 Colour Wirefree Controller

- Turn the controller over so that the underside is face up to access the LCD Menu screen.
- Turn the controller on using the Power On / Off button.
- The main Menu screen will then display all Menu options. Navigate the Menu using the Up/Down scroll buttons and Left/Right scroll buttons: choose from Bubble tube to control all Rompa® Aquatic bubble tube.

NB All other Rompa® WiFi compatible products in the room can change colour simultaneously by changing the setting to ALL.

- Press the Right arrow button to make your selection.
- Press Play to choose which Rompa® product you wish to control.
- Select Play, then click on the Right arrow button.
- Make sure the Rompa® products you are controlling are plugged in and switched on.
- This 8 Colour Wirefree Switch has been designed to be simple to use and has no ON/OFF switch. The switch turns itself on automatically as a button is pressed and turns itself off automatically after each button press.

Troubleshooting:

In the unlikely event of product failure, please check the following:

No lights, no bubbles

- Check that the bubble tube is plugged in at the wall
- Check that the power supply is connected
- Check the green LED light is on

Lights but no bubbles

- Try switching the bubble tube off and then again.
- Check all pipes are firmly connected and free of kinks/bends. Check the pipes have not worked free – occasionally vibrations/transportation can loosen pipes.
- Have you connected a Deluxe 8 Colour Wirefree Controller (19847) to make your Bubble Tube interactive? Turn the Switch Box over – is it set to 'Bubbles On'? If it is not, set it to this.

No lights, no bubbles

- Check that the bubble tube is plugged in at the wall
- Check that the power supply is connected
- Check the green LED light is on

Lights but no bubbles

- Try switching the bubble tube off and then again.
- Check all pipes are firmly connected and free of kinks/bends. Check the pipes have not worked free – occasionally vibrations/transportation can loosen pipes.
- Have you connected a Deluxe 8 Colour Wirefree Controller (19847) to make your Bubble Tube interactive? Turn the Switch Box over – is it set to 'Bubbles On'? If it is not, set it to this. Has the bubble tube been recently cleaned? The pipes can get blocked with limescale or dirt, which prevents air getting through. Please follow care and maintenance instructions above.

The Bubble tube is very noisy

- Make sure that the bubble tube is on a completely flat and stable surface, and not on a slope or uneven surface.
- Make sure that the pump is still securely attached inside the chassis and that it has not worked free of the supports that hold it down.

The Bubble tube is leaking

- Fill and drain the bubble tube using the drainage tube and the valve with the grey button on the chassis – water can be accidentally spilled when filling the tube via the top.
- Make sure that all the tubing inside the bubble tube base is securely attached.
- Place paper towels in the chassis to identify exactly where the leak is coming from. Contact us for advice once the exact location of the leak has been found.

There is debris inside the bubble tube

- Use the cap as a lid for the bubble tube column to stop dust, lint etc falling into the tube.
- Make sure no beads from the polystyrene packaging have fallen into the tube.
- Keep the water clean by organising a regular cleaning schedule to avoid the growth of algae. Use BCB Fluid to keep the water clean.

Fish & Sea Creatures do not float

- Remove them from the tube and ensure that they have not filled with water, if they have tap them gently on a hard surface to remove the water, then return to the tube.

If troubleshooting does not solve the issue please contact Rompa® Customer Services +44 (0) 1246 211 777

08.

NOTES

snoezelen[®]



Life Changing Sensory Solutions For All

**Rompa[®] Limited, Goyt Side Road,
Chesterfield, S40 2PH**

customer.service@rompa.com

www.rompa.com

19777_310225