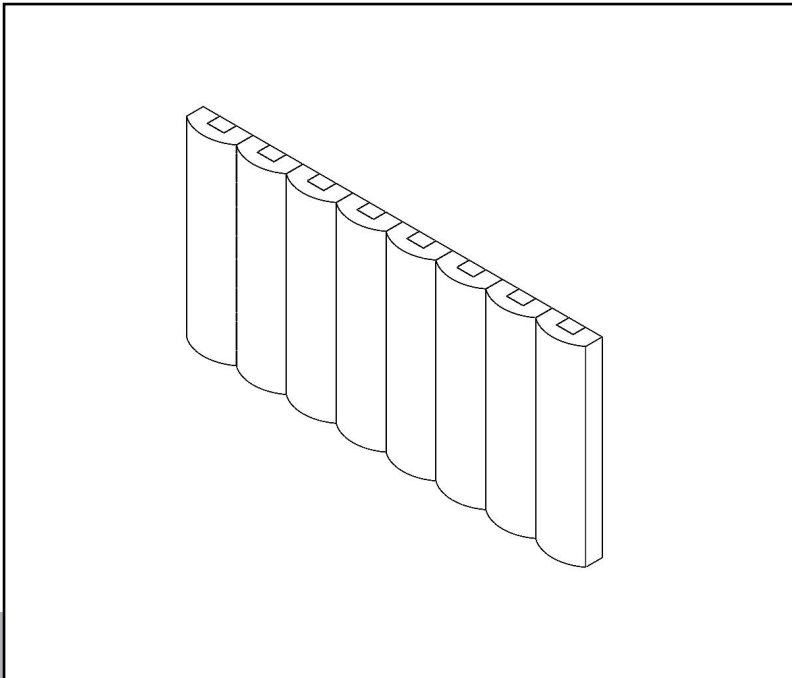




Life Changing Sensory Solutions For All

snoezelen®

INSTRUCTION MANUAL



**RAINBOW BUMPAS WITH
SOUND - SET OF 8**

20323

01.

CONTENTS

CONTENTS

ABOUT THE PRODUCT	4
Product Description	5
User Benefits	5
Product Compatibility	5
TECHNICAL SPECIFICATION	6
Included Parts.....	7
Technical Specification	7
SAFETY AND CARE.....	8
Product Safety and Care Instructions	9
ASSEMBLY & INSTALLATION GUIDE	12
Product Assembly Guide/Installation.....	13
Troubleshooting	14
USER GUIDE	16
User Guide.....	17
FEATURES	20
NOTES.....	22

02.

ABOUT THE PRODUCT

Product Description

Large softplay pillars mounted to the walls, when interacted with they can play musical tunes in a scale, depending on which is pressed. Can be controlled with the controller box on top.

User Benefits

Stimulates: sight, touch and sound.
Interactive cause and effect product.

TECHNICAL SPECIFICATION

03.

Included Parts

Size:

Each Bumpa 30W x 15cmD

Backboard 5cm deep - overall width: 240cm, overall depth 20cm

Contents :

2 x Backboards, each with four Bumpas

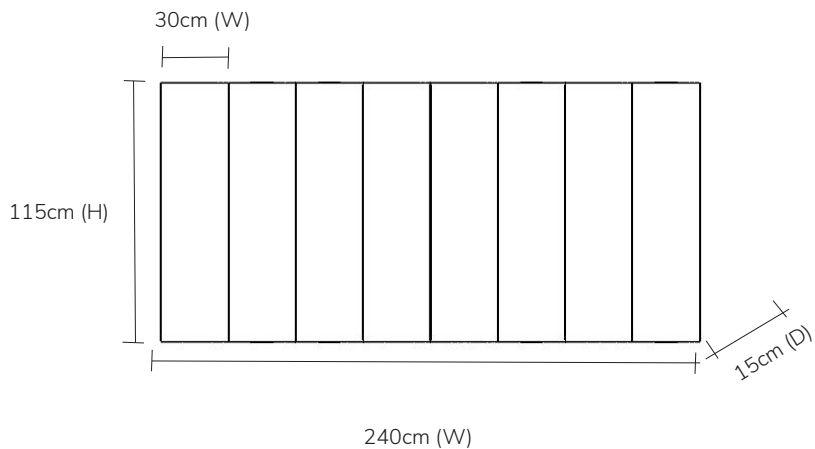
(one Backboard has a Control Box already attached)

1 x power supply

1 x kettle lead with plug

Technical Specification

Power supply: Meets requirements of RoHS



04.

SAFETY AND CARE

Product Safety and Care Instructions

- For indoor use in dry environments only.
- Always supervise the use of this product.
- It is your responsibility to ensure that this product is installed and used safely and appropriately.
- Do not allow the cables to be pulled etc – keep these out of reach.

Handle the Control Box with appropriate care – it is recommended that a responsible adult regulates the Control Box – the Bumpas are intended to be controlled by clients rather than them regulating the Control Box.

Fabric Care

- Vinyl will crack, tear and rub off if subjected to sharp objects or continual rubbing by hard objects. Remove shoes, and avoid buckles, zips or sharp/hard/pointed objects coming into contact with the surface.
- Check seams regularly to ensure that these are not worn or split, and the interior filling cannot be accessed. Do not attempt to access the interior part of these products. Never allow children or vulnerable people to access the interior part of this product.
- Wipe off accidental marks/liquids at the time they occur or are noticed.
- From time to time, if possible, lift or move products to clean all surfaces and the floor underneath.
- Our products are intended to provide comfort, relaxation and activity. Avoid eating and drinking whilst using these products.
- Steam cleaning is not advised.
- Do not place near sources of heat or fire that may damage the surface (radiators, fires, underfloor heating, hot central heating pipes etc.)
- Direct contact with bright sunlight may affect material over time.
- Do not saturate the material with lots of water.

PVC (Vinyl)

- Use a soft brush remove all loose dust/dirt. Clean with a mild detergent (such as Lux soap flakes in luke-warm solution) applied to a sponge or damp cloth. Do not use an abrasive cleaning pad. This may be sanitised using a weak solution of Milton fluid.
- Do not use excessive amounts of water and always ensure the PVC is dry after cleaning.
- Do not use boiling/very hot water, washing up liquid/aggressive detergent or solvent based cleaner as this will cause the coating to discolour and go hard.
- Steam cleaning is not advised. Once this product is eventually exhausted, please dispose of it appropriately.

ASSEMBLY & INSTALLATION GUIDE

05.

Product Assembly Guide/Installation

The Bumpas are supplied already attached to the back boards.

Attach the back boards to your wall, bearing in mind the following:

- The back boards are 5cm thick.
- Fixtures are not included as these will depend on the construction of your wall.
- The back boards are solid around the perimeter (the frame is 5cm thick on each outside edge) but the central part is not solid – take care not to damage the back boards as these contain electrical components.
- The approximate weight of the whole product is 50kg for the 115cmH version and 60kg for the 145cmH version – make sure your wall and fixtures are capable of holding this weight.
- Make sure there are no pipes, cables, wires etc behind the wall where you intend to drill.
- If using this product with floor cushioning, consider the depth of the floor cushion.
- This product requires one electrical wall socket – make sure the cables on the power supply will reach the wall socket.
- Make sure the cables are safe and cannot be pulled and don't represent a safety hazard.
- This product is for indoor use only, in dry environments. If installing this product with other Bumpas, these will be deeper because these have a back board that the other Bumpas from Rompa® do not.
- The back boards are very slightly higher than the top of the Bumpas so that the Bumpas could be attached to it (2 or 3mm approx).
- There are additional mirror plates supplied.
- The Backboard with the Control Box attached must be on the left-hand side.

Connect the spade connectors on the cables from the right-hand side of the Backboard with the Control Box on to the spade connectors from the left-hand side of the other Backboard. Observe the labels on each cable. All cables labelled A (and a number) connect to the corresponding cables labelled A (and a number). The same applies to the B cables. For example, connect A5 to A5.

Repeat for cables 6, 7 and 8. All A cables have a black stripe; all B cables are plain white cables.

Make sure these are FIRMLY connected together. Before wall-mounting the Backboards, follow the steps below to make sure these are working properly first.

Once you have checked that all the connections are firm, the cables can be tucked inside the Backboards to make sure these are not trapped/punctured during wall mounting.

The Control Box is already attached to the top left of the back board. This can be further secured to the wall as required, once the back board has been wall mounted. There are three pre-drilled holes to the left of the Control Box and another three to the right (as shown below).

Connect the cable from the power supply to the round DC socket on the left-hand side of the Control Box as shown to the right. The other end of this cable is hard-wired.

Connect the kettle lead to the power supply.

Plug in at the wall socket.

06. 

USER GUIDE

User Guide

This can include troubleshooting information if applicable

Switch on at the wall socket.

Switch on using the ON/OFF button on the Control box (the uppermost button). When the red of the switch is visible, the product is ON.

Use the central button to select one of six sound mode:

- a. Piano
- b. Clarinet
- c. Electric organ
- d. 'Bubbles'
- e. Car hooters
- f. 'Scratching'

Each press of the central button activates the next setting. Once the product is switched on, the first mode is 'Piano'. One press of the central button activates the Clarinet; a second press activates the 'Electric organ'... and so on. If the product is switched OFF, the last mode selected is NOT retained – the product will automatically start next time with the Piano.

Press the coloured circle on a Bumpa to hear the sound. Operation is momentary. This means that one press will activate a sound for 2 or 3 seconds. The product does not require one press of the coloured button to start the sound, and another press to stop it as the sound will stop by itself. The duration of the sound cannot be controlled.

The furthest left Bumpa has the lowest pitch. Moving across the Bumpas left to right and pressing each subsequent circle of the Bumpa obtains a higher pitch.

Adjust the volume as required using the dial at the bottom.

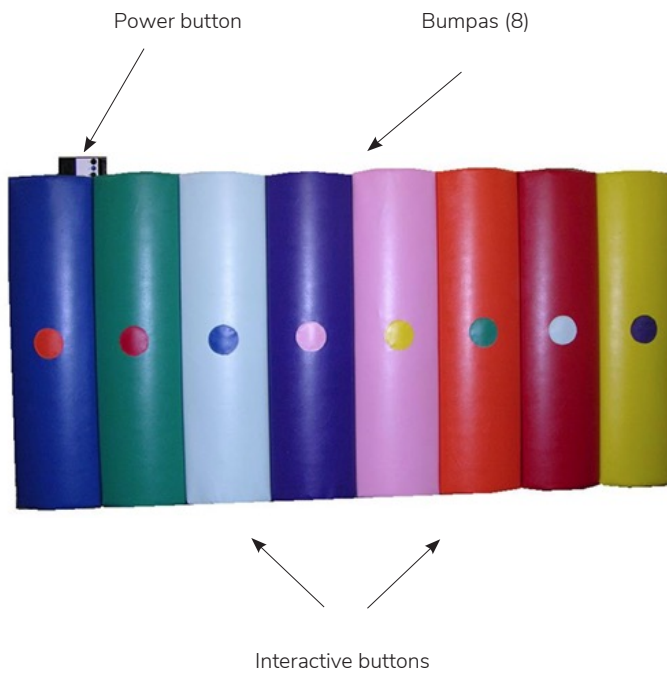
Remember to switch OFF after use and unplug.

In the unlikely event of problems, please check:

- The Volume – is it turned right down to the lowest setting? If so, make the product louder as required.
- Power supply – check that the kettle lead is correctly connected. Make sure the hard-wired cable from the power supply is correctly attached to the Control Box.
- Make sure the kettle lead is plugged in and switched ON at the wall.
- Make sure the ON/OFF button on the Control Box is set to ON.

FEATURES

08. 



NOTES

07.

snoezelen[®]



Life Changing Sensory Solutions For All

**Rompa[®] Limited, Goyt Side Road,
Chesterfield, S40 2PH**

customer.service@rompa.com

www.rompa.com

20323_200225