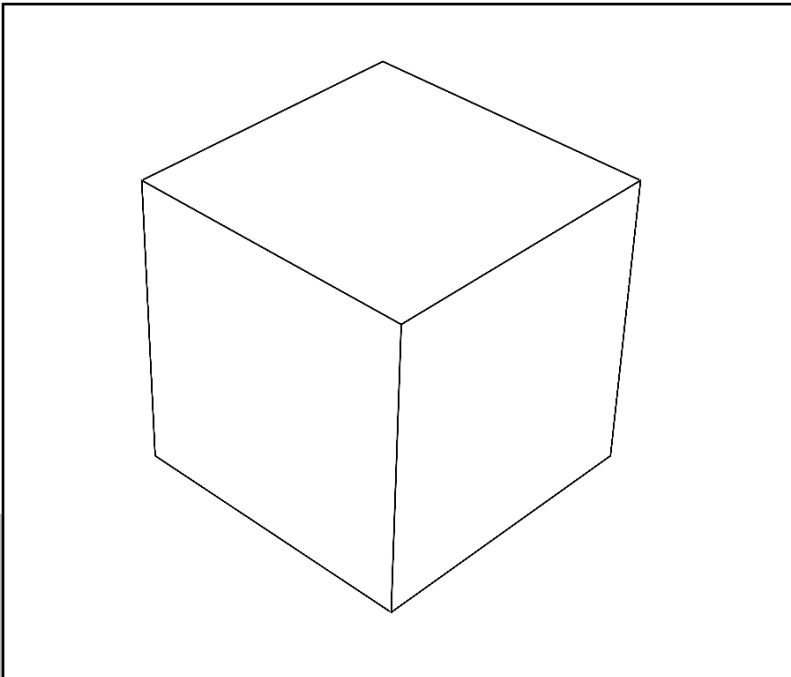




Life Changing Sensory Solutions For All

snoezelen®

# INSTRUCTION MANUAL



**MINI TALKING CUBE**

**20402**

01.

**CONTENTS**

# CONTENTS

<b>ABOUT THE PRODUCT .....</b>	<b>4</b>
Product Description.....	5
User Benefits .....	5
Product Compatibility .....	5
<b>TECHNICAL SPECIFICATION .....</b>	<b>7</b>
Included Parts.....	8
Technical Specification .....	8
<b>SAFETY AND CARE.....</b>	<b>10</b>
Product Safety and Care Instructions .....	11
<b>ASSEMBLY &amp; INSTALLATION GUIDE</b>	<b>13</b>
Product Assembly Guide/Installation.....	14
Troubleshooting.....	14
<b>USER GUIDE .....</b>	<b>18</b>
User Guide.....	19
<b>FEATURES .....</b>	<b>20</b>
<b>NOTES.....</b>	<b>22</b>

02.

**ABOUT THE PRODUCT**

# Product Description

Soft play cube that can be rolled to change the colour of various Rompa® Wi-Fi compatible products.

This wireless talking soft play cube has many therapeutic, learning and interactive play opportunities.

## User Benefits

Stimulates: sight, sound and touch

An alternative way to control rooms

Can be thrown, rolled – good for gross motor movement.

- Promotes inclusivity, choice, control and accessible learning and can be personalised with sound and pictures.
- Carefully designed to facilitate use for all, including people with fine/gross motor skill difficulties, visual impairment etc.
- Activates individual products or all wireless products in a room (e.g. bubble tubes, wall panels, lighting).
- Is wireless for safety and fully customisable for personalised/themed learning, play or therapeutic use.
- Multi-sensory product (visual, audible, tactile).
- Particular sounds could be used to teach sound recognition/discrimination or therapeutically to grade up/down noise sensitivity).
- Each colourful side has a transparent pocket, customisable with space for pictures, symbols, photographs and images.

## Product Compatibility

20848, 21098 Sensory Magic™

19771 Midi Bubble Tube

19772-5 Maxi Bubble Tube

19777-80 Aquatic Bubble Tube

19776 Giant Maxi Bubble Tube

19767-770 Ball-Bubble Tube

19210 Light Source (and therefore our fibre optic products)

21452 2 Port Light Source (and therefore our fibre optic products)

22019/ 21475 Rompa® Waterless Rainbow Tube

22871 Colour Command Centre™

22869 Multifinity Explorer™

22872 Fireworks Extravaganza™

22870 Sound to Sight Showtime™

22874 Double Bubble Bonanza™

22873 Colour Catch Combo™

22873 Colour Catch Combo™  
22875 Hip Hop Activity Box™  
20287 Wi-Fi Starry Sky Panel  
20878 Wi-Fi LED Spotlight  
21002 Wi-Fi LED Strip Light System  
20845 Wi-Fi Mood Lighting  
18407 Illuminated Ballpool  
18549 Vibro Tub  
21001 Wi-Fi LED Cube  
20943 Interactive Aroma Panel by Rompa®

# TECHNICAL SPECIFICATION

03.

# Included Parts

## **Cube:**

PVC: Colours may vary but typically orange, yellow, green, purple, blue, red  
30cm x 30cm x 30cm  
Weight: approximately 1.6kg

## **Power supply (black plug):**

Linear PRI: 230V~50Hz (110V available)  
SEC: 12V 300mA Double isolated: IP40  
For indoor use only  
Hard-wired cable

## **Control box (Receiver):**

Input: 12V DC 3.6W max  
Receiver module compliant to  
Europe ETSI EN 300-328  
Japan ARIB STD-T66 Ver 3.7

Speaker is integral to the above (not a separate component)

# Technical Specification

## Battery life:

Continuous use (24hrs/day) approximately 4 days.  
Normal use (6hrs/day) approx 16 days.  
In Sleep mode approx 20 days.

The Talking Cube goes into sleep mode if not used for 10 seconds.



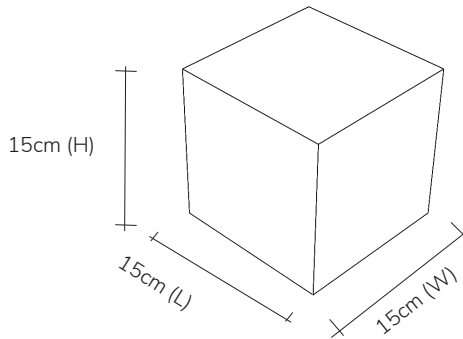
Weight: 270g Transmitter (box inside the cube):  
9v DC 0.1W

PP3 battery Works up to a distance of 100m from the receiver, including through obstacles

Transmitter module compliant to ETSI 300-220

Frequency: Operates on 2.4GHz

Transmit power: +0 dBm (roughly 0.001 Watts)



04.

**SAFETY AND CARE**

# Product Safety and Care Instructions

- Always remove the battery after use to preserve battery life.
- Change the 9v battery inside the cube as required.
- Rechargeable batteries may be used.

Remove battery from the unit before recharging.

1. Gently lift the PVC flap around three sides of the cube to expose the zip.
2. Open the zip.
3. A slit will be visible in the foam inside the cube. Reach into the slit and pull out the box:



4. Turn the box over and slide the battery compartment lid off – an arrow indicates which way to remove this (shown below):



5. Remove the exhausted battery and replace with a new battery of the same specification:



6. Warning - do not attempt to access the interior of this box other than the deliberately accessible battery compartment.
7. Push the box back into the Talking Cube and close the zip. Make sure the box is put back in the correct way round – the letters indicate the correct orientation, e.g. “G” for “green” etc.



8. Carefully put the flap back over the zip.

#### **To clean the PVC:**

- Organise a regular cleaning schedule.
- Use a soft brush to remove all loose dust/dirt.
- Clean with a mild detergent (such as Lux soap flakes in luke-warm solution) applied to a sponge or damp cloth.
- This may be sanitised using a weak solution of Milton fluid.
- Do not use excessive amounts of water and always ensure the PVC is dry after cleaning.
- Do not use an abrasive cleaning pad.
- Do not use boiling/very hot water, washing up liquid/aggressive detergent or solvent based cleaner as this will cause the coating to discolour and go hard.
- Steam cleaning is not advised.
- Do not immerse in water. Use in dry environments.
- Remove the battery if the product will be out of use for long periods.
- Do not fix the control box to the wall – it is recommended that this be kept as a portable device rather than fixed down. If it is absolutely essential to attach it to a wall, mirror brackets should be used so it can be removed later if required.

#### **Always supervise the use of this product.**

- Clear a suitable space. Do not throw at people or objects.
- The power supply is for indoor use only.
- Warning - do not try to access the interior of the box.

# ASSEMBLY & INSTALLATION GUIDE

05.

# Product Assembly Guide/Installation

- Connect the round tip of the power supply to the round socket at the top of the white control box. Plug in at a mains wall socket.
- Turn the control box ON – press down the volume knob until you hear a click (press it again to turn it OFF). A light on the receiver box indicates whether the power switch is turned ON/OFF. Make sure this is ON before use.
- Put the 9v battery into the transmitter module and place it in the cube, making sure that the letters on the transmitter correspond to the colours on the cube e.g. “G” Green.
- Turn ON the switch on the transmitter. It is switched ON when the switch shows red.
- Throw the Talking Cube. The recording of the uppermost side will be activated. Adjust the volume as required. There is a volume dial on the top of the control box. This is labelled ‘Volume’.
- Make sure the ON/OFF switch is set to ON. The transmitter in the Talking Cube goes to sleep after approximately one minute to help preserve the battery. It does not matter if a person stands between the transmitter and the receiver – these should work through obstacles.
- The ON/OFF switch can be located by undoing the zip a small amount.
- Make sure that all ON/OFF switches of the product are switched OFF after use. The light on the receiver will go out when OFF.

## Troubleshooting:

This troubleshooting guide provides solutions to common issues that may arise during the operation of your Mini Talking Cub. Following these steps will help you address potential problems effectively. If you encounter any persistent issues beyond these troubleshooting steps, please contact Rompa® Customer Services for further assistance at +44 (0) 1246 211 777.

### Not playing any sound



#### Speaker module power

- First ensure that the speaker module is powered on.
- Ensure that the mains power cable is plugged into the speaker module and the other end is plugged into a wall socket.



#### Power on the speaker module:

- To do this press the volume control down, a red light should illuminate on the speaker module to indicate the module is powered on and a sound should come out of the speaker to indicate the speaker is working.



### Check the talking cube module is powered on

- Then open the zip on the cube itself and ensure that the module inside is powered on via the switch on the module.
- Now zip the cube back up with the module in and if you throw it on its side, it should say the name of the colour it has landed on.
- If there is still no sound from the speaker, you may need to replace the battery inside the module inside the talking cube.

### How to change the battery in the talking cube module

To change the batteries inside the module in the cube do the following:

NOTE: It is a 9v battery that is required.

- Unzip the cube and remove the module inside, turn the module over and look for the battery module at the bottom:



- Unzip the cube and remove the module inside, turn the module over and look for the battery module at the bottom:



- Gently remove the 9v battery:



- Lift the battery out and disconnect the connector from the battery:



- Connect the new replacement battery to the two contact points and place the battery back into the compartment.
- Slide the cover over the battery.
- Ensure that the module switch is in the on position and place the module back inside the talking cube.

### Steps to avoid the battery draining

It is important to turn off the switch on the module inside the cube when not in use for long periods to conserve battery life. Otherwise, if left on the battery can run down even if not used.

### Recorded no message over default messages

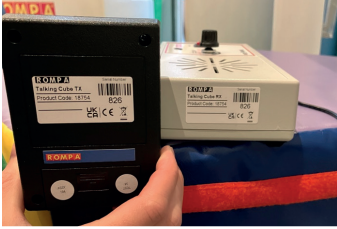
Sometimes the customer may have recorded over the default voice recordings with nothing, so it appears to be saying nothing. To ensure this has not happened record a new message:

- Power on the talking cube speaker module and the module inside the talking cube.
- Place the cube on the side you want to record the message for.
- When you are ready to record, press and hold the red record button on the speaker module and then when the red light illuminates start talking.
- Release the red recording button when you have finished your message. You get 3 seconds to record your message. Should your message exceed three seconds, the recording will simply stop – it will not run over to the recording time of another side.
- After recording the cube will immediately play back the recording.
- If you now place the cube on the side you recorded the message on, it should play the message you recorded instead of the default one.
- Now you can repeat the process by placing the cube on the side you want to record another message on.



## Serial number check

Both the speaker and the module inside the cube should have the same serial number:



If they do not, it means that the speaker has been paired with the incorrect module inside the cube, so will not play sounds when throwing the cube.

06.

**USER GUIDE**

# User Guide

## Recording

- Connect the round tip of the power supply to the round socket at the top of the white control box. Plug in at a mains wall socket.
- Turn the control box ON – press down the volume knob until you hear a click (press it again to turn it OFF).

08.

**FEATURES**



07.

**NOTES**



**snoezelen<sup>®</sup>**



Life Changing Sensory Solutions For All

**Rompa<sup>®</sup> Limited, Goyt Side Road,  
Chesterfield, S40 2PH**

**[customer.service@rompa.com](mailto:customer.service@rompa.com)**

**20402\_200225**

**[www.rompa.com](http://www.rompa.com)**