

1. Product Name

Water Effects Projector

2. Product Code

20777

3. Colour

Black exterior

4. Brief Description

Projects a circle of colour with a rippling water effect.

5. Contents

- 1 x projector with integral hanging bracket
- 1 x power cable

6. Snoezelen® Stimulations

- Sight

7. Best Use

In a darkened environment, with the effect projected onto a flat and white or pale-coloured surface.

8. Compatible ROMPA® Products

This product could be used with other Snoezelen® multi-sensory products from ROMPA® that have a water theme such as:

- 19777 – 19780 Aquatic Bubble Tubes
- CD641 etc. – Swimming With Dolphins CD etc.
- 21491 – LED Ceiling Panels
- 21828 – Fish Wall Stickers
- 21827 – Under The Sea Peel & Stick Border

9. Starting Up

Because of the nature of this Projector, it is not advisable to take any short-cuts when installing or using this product. Please read the entire manual. Familiarise yourself with the product before using it. Only this product as described in these instructions.

10. Detailed Description

Projects a circle of colour with a rippling water effect. Various colours and can be stopped on one colour. Contains LEDs for minimal heat and maintenance. With built-in effects for stand-alone mode. This product is not part of ROMPA®'s Wi Fi range as it has an internal colour wheel rather than multi-colour LED lamps.

The internal colour wheel can be stopped at any point for both single and mixed colours. The projector can be set to a static mode (operates the same one single colour) or colour change mode (continually changes colour in sequence). To set the colour wheel into colour changing mode (continually rotating), move the switch on the right hand side of the back panel (indicated below as 03) to the ON position. To stop the rotation move the switch to the OFF position. The internal colour wheel has four colours – red, green, blue and clear. The colour wheel speed is pre-set and cannot be altered.

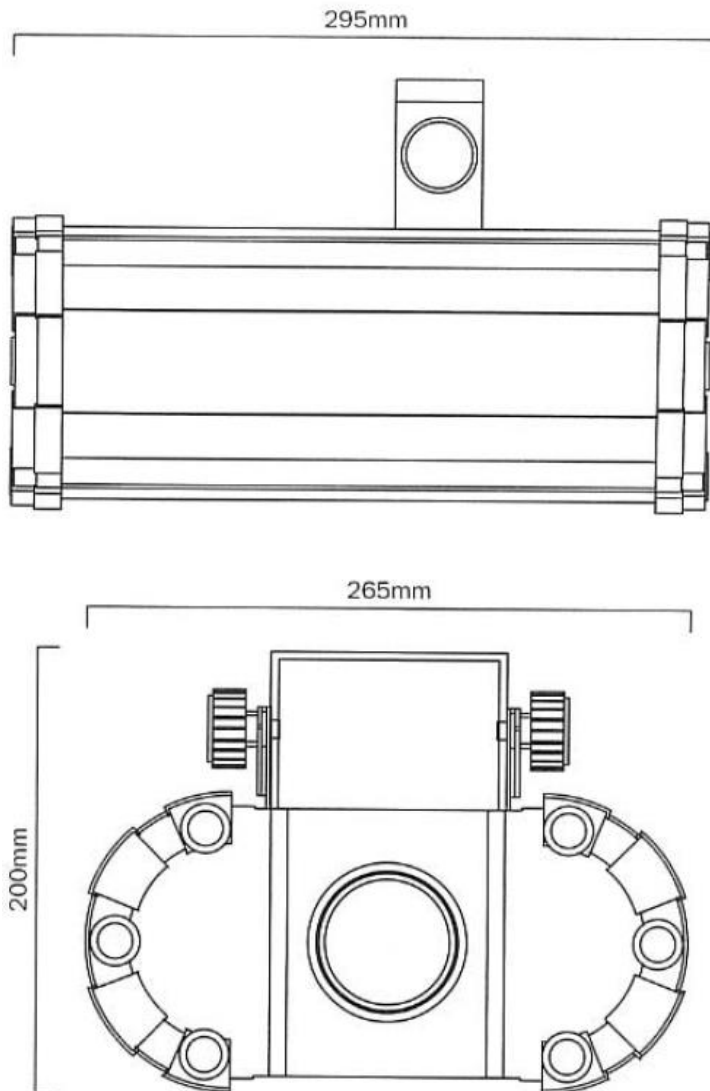
To adjust the focus rotate the lens assembly on the front of the product clockwise or anti-clockwise to achieve a hard or soft focus.

11. Safety

- Supervise the use of this product.
- Cease use of the product if it becomes damaged or ceases to work.
- Make sure that the power cable is never crimped or damaged. Establish a regular checking schedule to make sure the product and the cable are not damaged.
- Should this product be dropped or damaged, unplug immediately and cease use. Do not re-use the product before a qualified and suitably experienced electrician has confirmed that it is safe to re-use the product.
- As with all electrical items with a higher voltage, misuse could result in electric shock.
- For indoor use only.
- Keep this product dry and away from moisture and liquids; flammable sources; and gases.
- This product can become warm after prolonged use.
- Unplug after use and before any maintenance and cleaning.
- Do not allow the power cable to come into contact with other cables. Handle power cables and connections with care.
- Do not remove the safety warnings and information labels from the product.
- Do not stare directly into the light.
- This product may not be suitable for those with photosensitive epilepsy.
- This product must be earthed. If any doubt, please consult a suitably qualified person.
- Ensure the available voltage does not exceed the voltage given in the specification below.
- If this product has been exposed to extreme temperatures and drastic temperature fluctuations (e.g. after transportation), do not plug this product in immediately as the resulting condensation could damage the product. Do not plug the equipment in and switch this on till this product has reached room temperature.
- Only carry the product using the hanging/mounting bracket (never by the power cable)
- Do not connect to a dimmer pack.
- Do not attempt to open up or modify this product.
- Do not disconnect the power supply by tugging or pulling the cord.
- Do not switch the equipment on/off in short intervals as this will reduce the life of the product.
- Do not view the light output with optical instruments or any device that may concentrate the beam.

12. Technical Specification

CE:	Risk Group 2 LED product according to EN62471
Power supply:	240V, 50Hz; IEC power input
Power consumption:	50W
Fuse:	F2A 250V
Light:	one 40W white LED
Size:	31 x 26.5 x 20cm
Weight:	4kg
Beam angle:	34°
Focus:	Manual focus
Temperature:	Fan cooled



13. Installation

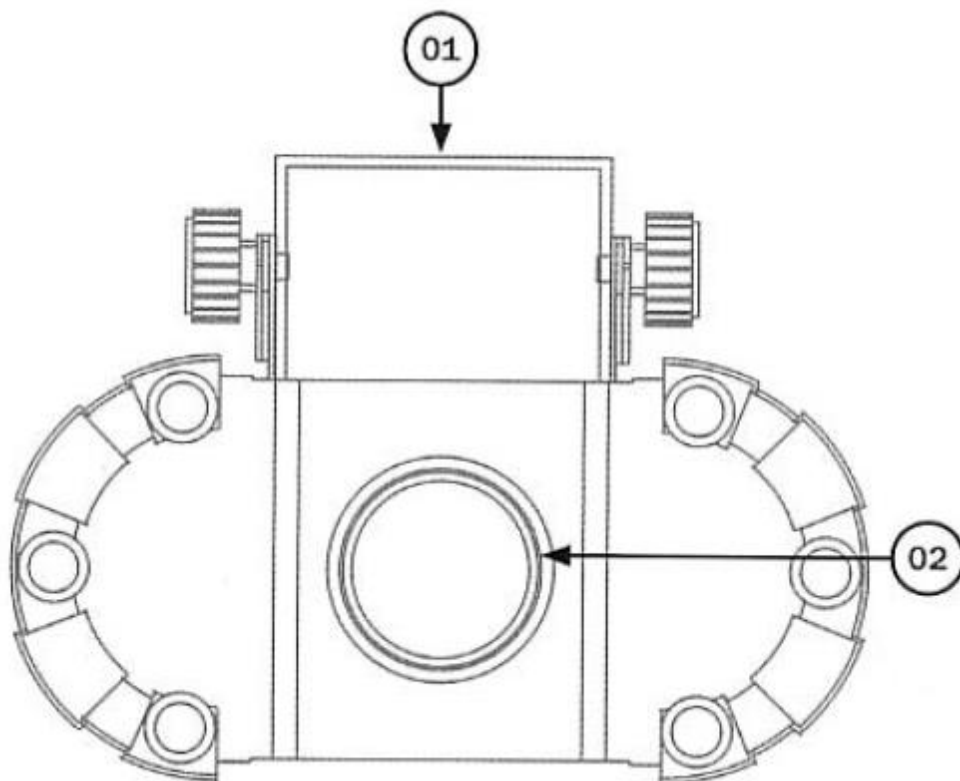
- Please read this entire manual before installing the product, paying particular attention to the Care and Maintenance section.
- It is recommended that a suitably experienced and qualified person install this projector.
- Make sure that this product is safely installed before use.
- This projector is not intended for domestic (household) use.
- Check for any signs of damage caused during transportation.
- This product is for indoor use only (<40°C). Keep the product away from moisture.
- Install out of reach. This product is intended for visual purposes only – it is not intended to be handled.
- Connect the projector to the mains with the power plug supplied. Never use a different power supply to the one supplied.

- Do not connect it to a dimming pack.
- Keep the air vents free at all times. Never cover the projector, even partially.
- Do not switch on the projector immediately after it has been exposed to changes in temperature. Leave the projector switched off till it has reached room temperature.
- Ensure the projector has adequate ventilation. Ensure no ventilation slots are blocked.

Overhead Mounting

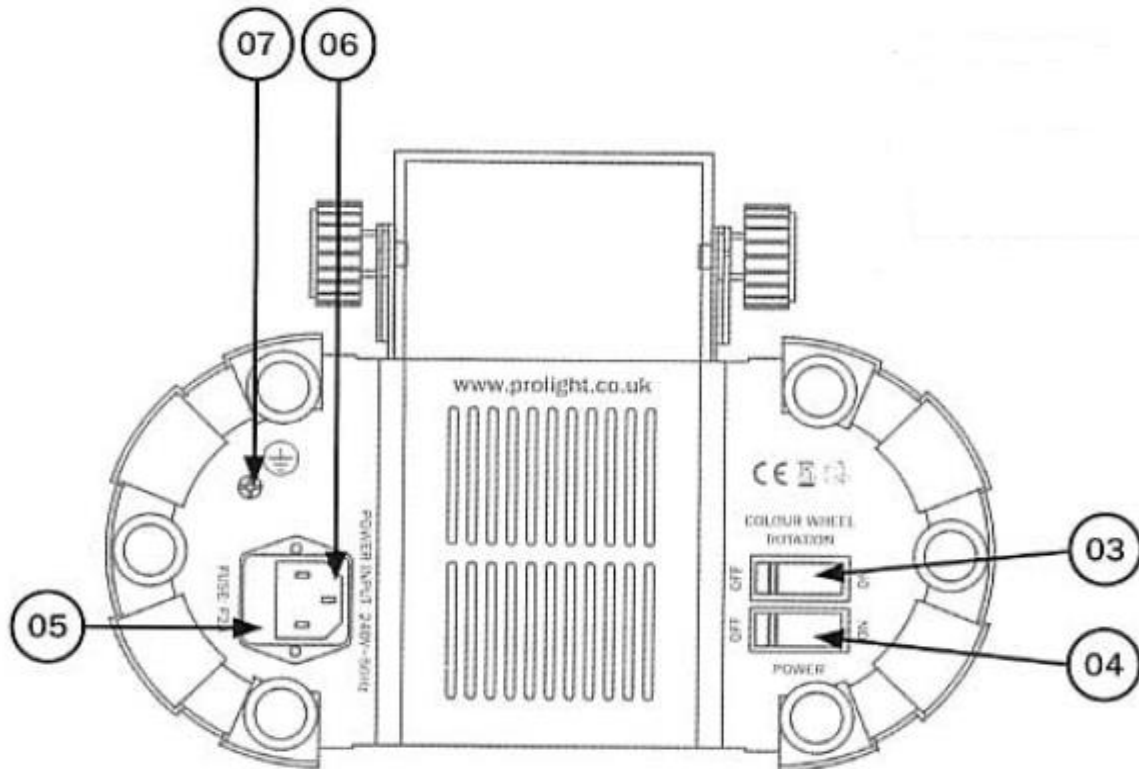
Install the Water Effects Projector in a suitable place, bearing in mind the following:

- The construction of the ceiling the projector will be attached to should be able to comfortably support 10 times the weight of the projector.
- The projector must also be secured with a secondary attachment e.g. a safety cable or chain.
- Use appropriate fixtures (not included).
- Adjust the desired inclination angle via the mounting bracket and tighten the bracket adjustment knobs. Loosen the knob, adjust to the desired angle and tighten knob by turning clockwise. Do not use a tool to turn, as this may cause damage.



01 = Hanging Bracket

02 = Focus lens



03 = Colour wheel rotation switch

04 = On/off switch

05 = Fuse: F2 250V

06 = IEC power input

07 = Earth point

14. Care and Maintenance

- Unplug fixture from power before any maintenance.
- There are no user-serviceable parts inside the projector. Do not attempt to access the interior of the projector. In the unlikely event of product problems, please contact ROMPA®. Repairs should only be carried out by a suitably qualified and experienced electrician.
- Protect the power cord against damage and check it regularly for signs of damage.
- When replacing the fuse, be sure to replace with the same fuse source.
- Check that all screws are tight and free of corrosion.
- Make sure that the housing, the lenses, the mounting supports and the installation location (e.g. ceiling) are not deformed, modified or tampered with (e.g. do not drill extra holes in mounting supports etc.)
- Make sure mechanically moving parts don't show signs of wear and tear.
- Keep the air vents free at all times. Never cover the projector, even partially.
- Keep the projector away from dust and extreme heat. Use a vacuum or air compressor and a soft brush to remove dust collected on external vents.
- Allow sufficient air circulation.
- Protect the projector from shocks and abuse. Handle this product with care. Use the projector only as detailed by this manual.
- Do not attempt to modify the projector.

- The projector should not be left on all day, every day. Regular operation breaks will prolong the life of the projector.
- Do not stand directly below the projector when it is being installed, removed or serviced.
- We recommend that a suitable qualified person check the projector once a year.
- Clean lenses when the fixture is cool with a mild solution of glass cleaner and a soft, lint-free cotton cloth or lens tissue. Apply solution to the cloth/tissue and drag dirt and grime to the outside of the lens carefully. Gently polish until they are free of haze/lint. Always dry parts thoroughly after cleaning and ensure that product is completely dry before reconnecting to power supply.
- Cleaning of optical lenses must be carried out regularly to optimise light output.
- Once this product is eventually exhausted, please dispose of it appropriately and responsibly.
- Only use fuses of the same type and rating.

15. **Troubleshooting**

In the unlikely event of product failure, please check the following:

*Problem: **Fuse keeps blowing***

- Check total load placed on the electrical circuit.

*Problem: **Device does not power up***

- Check mains power. Check power cable is plugged into the projector firmly and isn't loose.

Further copies of these instructions can be downloaded at www.rompa.com

We hope you find our instructions invaluable. If you have any suggestions for improving them further your comments will be greatly received – please contact us at producthelp@rompa.com