



HYDROFIT 19957

Please read these instructions carefully **BEFORE** attempting to install/use this product and then keep them in a safe place for future reference



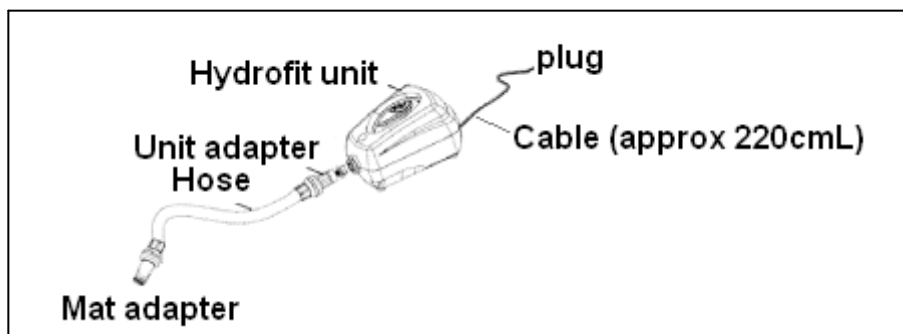
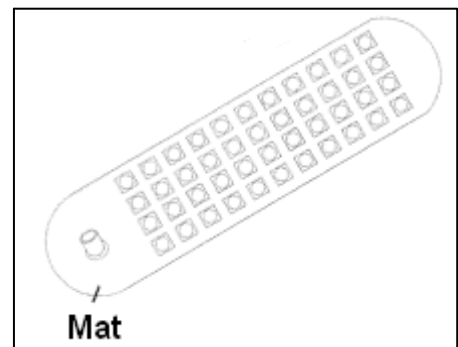
IMPORTANT NOTE: If in doubt about the installation of this product, seek advice from a suitably qualified electrician

CONTENTS

Your Hydrofit arrives in one box containing:

- Hydrofit unit
- Mattress
- Hose
- Remote controller

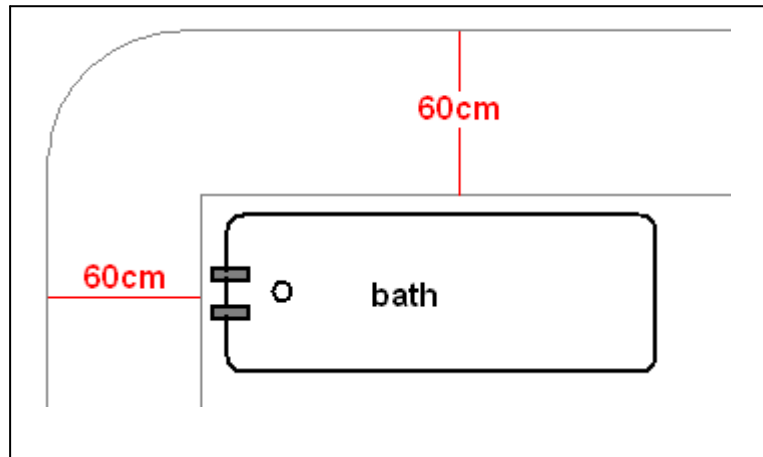
Please note: this product does not a RCD (residual current device). We recommend the use of a RCD with a rated breaking current of not more than 30mA is recommended in the electric circuit of the bathroom. If in any doubt, please consult a suitably qualified electrician.



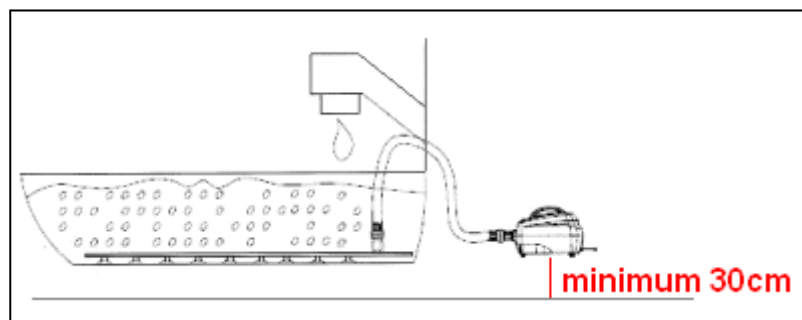
INSTALLATION

Install the Hydrofit bearing in mind the following:

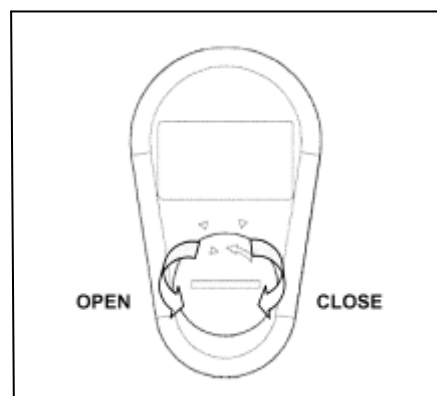
- The Hydrofit unit must be kept dry and away from water at all times
- Do not use or assemble the unit next to or under a radiator.
- Do not place the product on or under clothing, towels etc (to avoid the danger of overheating)
- The Hydrofit unit can be placed on a table etc provided that it is at least 60cm away from the bath and outside the area marked below:



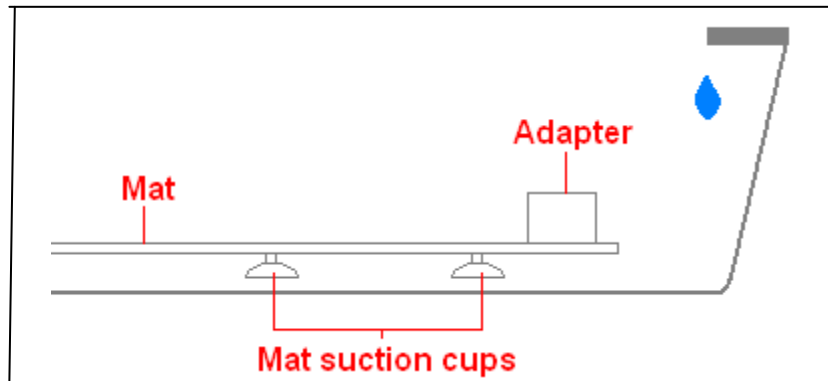
- The Hydrofit unit must be at least 30cm off the floor (see below). The air inlet on the underside must not be covered.



- Place a 3V CR2032 type battery into the Remote Controller. Turn the Remote Controller over so its back is uppermost. Use a coin to open the Remote Controller. Insert the battery and close by turning the coin again.



- Place the mat into the bath and press down firmly. To help ensure that the suction cups on the bottom of the mat adhere to the bath better, dampen the mat a little before placing it in the bath. Check that the mat is securely in place and does not slip.



- Attach the hose to the soft mat with the adapter and twist to secure it in place

USE

Do not use any bubble bath/bath foam/bath salts with this product

Make sure the room temperature is right. The temperature in the bathroom should not fall below 25°C.

Allow the fan to warm up for approximately 5 minutes before use. Run the bath to a normal temperature.

Plug the Hydrofit unit in (making sure your hands are dry!)

Switch on the unit:



○ – switched OFF

I – ready for use and can be controlled by Remote Controller

II – Emergency control if Remote Controller is not operational. Appliance runs at medium level. Heater is switched ON.

Select the desired intensity (three levels) or programme mode using the Remote Controller.

Carefully step into the bath.

In setting 'II', the Hydrofit switches itself automatically after 15 minutes. You may wish to use this setting if you do not wish to use the Remote Controller.

Use the Remote Controller to select the desired functions. When using the Remote Controller point it directly at the infrared detector on the Hydrofit.

The Remote Controller is splash-resistant. If it falls in the water by accident, take it out immediately and dry it before using it again.

Remote Controller

POWER ON/OFF

Press POWER ON/OFF button in centre to start

The Hydrofit will operate at the lowest intensity.

SPEED

Press the SPEED button to change the intensity to medium.

Press the SPEED button again to obtain the most intensive level.



PROGRAM

Press the PROGRAM button to change the program mode:
automatic change between low – medium – strong

HEAT ON/OFF

This switches the heater ON/OFF. When switched ON, a red LED light is illuminated (below the infra-red sensor). You may wish to use the heat option to avoid the bath water cooling too quickly.

Switch OFF after use and unplug, regardless of which setting you have selected.

CARE & MAINTENANCE

1. Unplug after use, and always before cleaning.
2. Check that the mat is securely in place and does not slip.
3. After use, take the mat out the bath by gently prising the suction cups away with your finger tips.
4. Clean occasionally with a soft, damp cloth or sponge. You may use a mild household cleaning product or soapy water, rinsing well afterwards. Avoid abrasive cleaning products.
5. Pack away carefully after use to avoid unwanted use.
6. Once eventually exhausted, please dispose of this product appropriately.

SAFETY

Always supervise the use of this product.

Do not use if the product becomes damaged or has been dropped.

Connect only to the mains with the same voltage as that indicated on the product.

SPECIFICATION

This product has been tested in accordance with GS and CE, and meets all appropriate requirements.

Power : 230V – 240V AC 50Hz

Total absorption 450W

Automatic switch off after 15 minutes (pause lasts a minimum of 10 minutes)

Remote Controller battery: 3V CR 2032

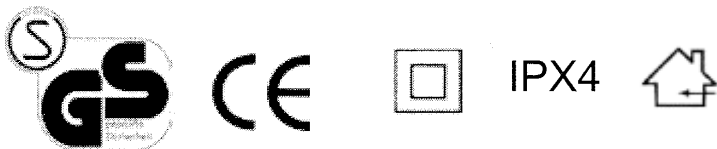
For indoor use only

Double isolated

Size: Mat 120 x 37cm

Noise: 59-63dB

13A fuse in UK plug



Further copies of these instructions can be downloaded at www.rompa.com

We hope you find our instructions invaluable. If you have any suggestions for improving them further your comments will be greatly received – please contact us at

producthelp@rompa.com