



1. Product Name

Wi Fi Mood Lighting

2. Product Code

20845

3. Colour

As supplied

4. Brief Description

Ceiling mounted, these dimmable and long-life LED downlights can transform the mood of a room.

5. Contents

- 4 x downlights (with attached DMX controller)
- 1 x ROMPA® Wi Fi Control Box
- 1 x ROMPA® Wi Fi Dimmer Unit

*Cabling to link the DMX controllers is not supplied.
3 core cable to be purchased separately – please refer
to the diagram in the Installation section.*



6. Snoezelen® Stimulations

- Sight

7. Best Use

Perfect for new build and renovation projects.

8. Compatible ROMPA® Products

19847 – 8 Colour Wirefree Controller

19939 – Wi Fi Interactive Carpet switch Set by ROMPA®

18870 - Talking Cube by ROMPA®

20402 – Mini Talking Cube

20563 – Wi Fi Microphone by ROMPA®

19214 – Colour Changing Panel by ROMPA®

9. Starting Up

Because of the nature of this product, please read all the instructions with care first.

10. Detailed Description

ROMPA® can install* stunning lighting systems that you and your clients can control simply and wirelessly. Ceiling mounted, these dimmable and long-life LED downlights can transform the mood of a room. Featuring RGB technology, these compact and contemporary lights bathe environments in beautiful colours. Furthermore, when used with our Wi Fi controllers, your clients can control their colour at the touch of a button. These robust lights will of course provide standard room lighting for occasions when other uses of your room require this. Perfect for new build and renovation projects. As an example, a room 4m x 4m will typically require 6 downlights.

This device is a lighting effect for creating decorative effects. The product is operated with an AC voltage of 90v to 240v, and is designed for indoor use only. Never put any liquids close to the device. Should any liquid enter the device, disconnect from mains immediately and have the device checked by a qualified service technician before you operate it again.

Each DMX driver is numbered and must be connected to the downlight with the same number.

After connecting the Wi Fi downlights to the mains they will start running. Use the Wi Fi Dimmer to adjust the intensity of each colour within the downlight (Red:Green:Blue). There is an On/Off button on the Dimmer for use with these downlights.

** We recommend that this product is installed by a suitably qualified electrician.*

To turn On/Off Wi Fi colours:

Press the BLACK On/Off button to turn ON the Wi Fi colours. The colour will be the same as it was when this button was last used to turn off the Wi Fi colours.

Press the BLACK On/Off button again to turn OFF the Wi Fi colours. The current colour setting is stored.

To alter the colour:

Press, or hold your chosen coloured button to adjust the colour intensity. For example, if you would like more RED, then press or hold the Top RED button. To decrease the amount of RED in the colour, press or hold the Bottom RED button. You can make up any mixture of colours. You will see the result on the Wi Fi products in the room as they change colour interactively when you press these buttons.

Wi Fi Operation

This lighting system is also part of ROMPA[®]'s extensive Wi Fi range. This means that the colour of the light can be controlled using any one of ROMPA[®]'s Wi Fi controllers. For example, a Talking Cube could control the colour of the lights, as well as other products in the room. The Wi Fi Dimmer unit listens for other colour control signals from devices such as the 8 Colour Wirefree Controller, and keeps track of the current room colour. For example, you may have set a colour using the 8 Colour Wirefree Controller, and then adjust the shade of the colour using the Dimmer unit.



11. Safety

- Always supervise the use of this product.
- For indoor use only in dry environments.

Warning! – This product must never be operated where splash water, rain or moisture may harm the device. Moisture or very high humidity can reduce the insulation and lead to a harmful electric shock.

The minimum distance between the light output of the device and the illuminated surface must be more than 0.1 meters.

Do not use during thunder storms.

Never look directly into the lights.

12. Technical Specification

Downlight & DMX Controller

Power supply: 90v to 240v AC

Power consumption:

13.9 W

Maximum ambient temperature:

40°C

LED beam angle:

15°

Size: 180 x 180 x 140 mm

Weight: 862g

Approvals: CE, ROHS, FCC

Wi Fi Controller

Power supply: 90v to 240v AC (internal 12Vdc 15W Power Supply)

Power consumption:

1 W max

Maximum ambient temperature:

40°C

Size: 180 x 85 x 50 mm

Weight: 230g

Approvals: CE, ROHS compliant

Wi Fi Dimmer

Power supply: 90v to 240v AC (12Vdc 60W Power Supply supplied)

Power consumption:

1 W max

Maximum ambient temperature:

40°C

Size: 160 x 130 x 60 mm

Weight: 880g

Approvals: CE, ROHS, UL, CUL

13. Installation

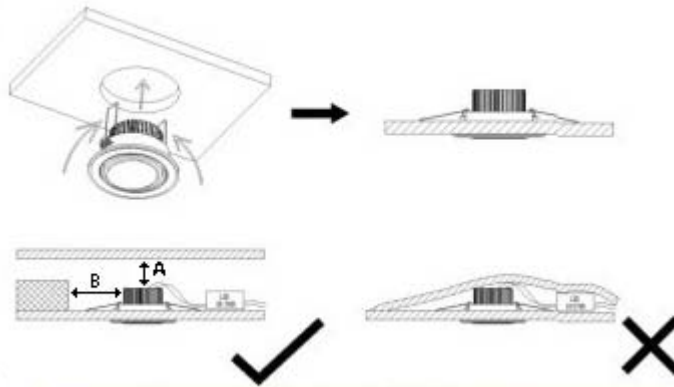
We strongly recommend that this product is installed by a suitably qualified electrician.

DOWNLIGHTS

1. Choose a safe and suitable indoor location for your lights. The lights are ONLY to be used in dry environments. If the device has been exposed to drastic temperature fluctuation (e.g. after transport), do not switch it on immediately. Wait for the device to reach room temperature. Condensation may damage the device.
2. Before attaching the device make sure the insulation area can hold the devices weight. Each downlight weighs 862g.
3. The downlight requires a hole in the ceiling of 114mm.
4. Ceiling thickness must be between 5mm and 18mm.
5. Please ensure enough air gap around the LED lamp (see below).



A = 100mm
B = 100mm



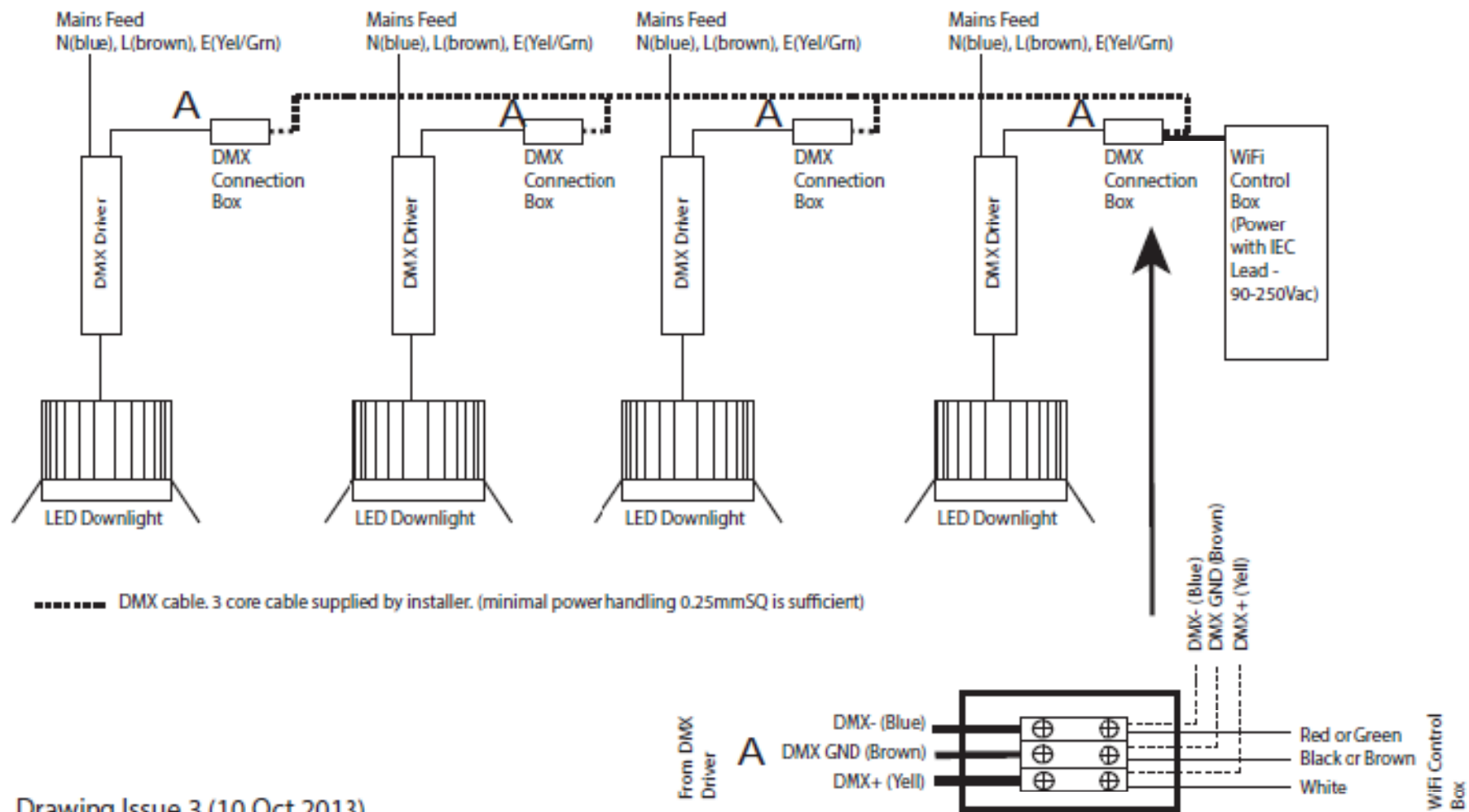
Each DMX driver is numbered and must be connected to the downlight with the same number

ROMPA® WI FI CONTROL BOX

Use the pre-drilled holes in the base plate to fix the Wi Fi Control Box down as required. This Wi Fi Control Box must be in the same room as the Wi Fi Dimmer so that it can receive the wireless signals. Do not install this box in a ceiling void where there is a metallic coated insulation layer, or metallic surface to the ceiling that may obstruct the passage of the wireless radio signals from the Dimmer unit.

ROMPA® WI FI DIMMER UNIT

Use the pre-drilled holes in the side flaps of the Dimmer Unit enclosure to fix the product to the wall. This Wi Fi Dimmer unit must be in the same room as the Wi Fi Control Box so that its wireless radio signals can reach the Wi Fi Control Box.



Drawing Issue 3 (10 Oct 2013)

14. **Care and Maintenance**

- Since this product uses LEDs not lamps, and LEDs last several thousand hours, it is extremely unlikely that the LEDs will need replacing.
- Once this product is eventually exhausted, please dispose of it appropriately.

15. **Troubleshooting**

Not applicable

Further copies of these instructions can be downloaded at www.rompa.com

We hope you find our instructions invaluable. If you have any suggestions for improving them further your comments will be greatly received – please contact us at producthelp@rompa.com