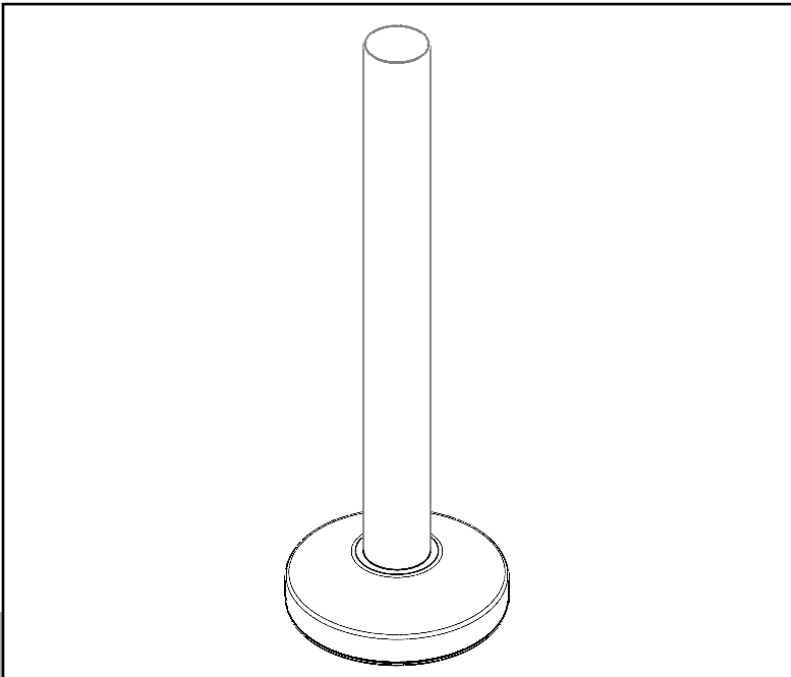




Life Changing Sensory Solutions For All

snoezelen[®]

INSTRUCTION MANUAL



WIRELESS RAINBOW TUBE

21475

01.

CONTENTS

CONTENTS

ABOUT THE PRODUCT	4
Product Description.....	5
User Benefits	5
Product Compatibility	5
TECHNICAL SPECIFICATION	6
Included Parts and Materials.....	7
Technical Specification	7
SAFETY AND CARE.....	8
Product Safety and Care Instructions	9
ASSEMBLY & INSTALLATION GUIDE	10
Product Assembly Guide/Installation.....	11
USER GUIDE	14
TROUBLESHOOTING	18

02.

ABOUT THE PRODUCT

Product Description

Perfect for customers who love bubble tubes but need a water-free alternative. Ideal for environments where infection control is of paramount importance. Visual, Vibrating and with a gentle sound and opaque tube. More than a dozen light effects, choose from static primary colours and moving light patterns. Adjustable speed of the effects. Compatible with Rompa®'s 17274 Super Interactive Switch Box (to be purchased separately) – Connect this switch to achieve a 'bubble' pattern. The central button stops and starts the virtual 'bubbles' and the pump so the humming sound can also be stopped and started. Also compatible with our Wireless controllers for interactive, wireless control of colours.

User Benefits

- This innovative product is designed to engage and stimulate both sight and touch, providing a multi-sensory experience that enhances user interaction and enjoyment.
- Vibrant Colours: The product features a palette of vibrant, eye-catching colours that draw attention and create a visually appealing experience.
- Dynamic Patterns: Incorporates dynamic patterns that change and evolve, captivating the user's gaze and maintaining visual interest.
- Enhanced Engagement: By stimulating both sight and touch, the product keeps users engaged and interested for longer periods.
- Improved Sensory Development: Particularly beneficial for children and individuals with sensory processing disorders, aiding in sensory development and integration.

Product Compatibility

- 20848, 21098 Sensory Magic
- 21918 Wi Fi Override Transmitter
- 21728 Rompa® Wi Fi App Control Box
- 17274 Super Interactive switch box
- 18770 Talking cube by Rompa®
- 20402 Mini Talking Cube by Rompa®
- 19847 Deluxe 8 Colour wirefree controller
- 21006 8 Colour wirefree controller
- 14694 Collar
- 11201 Cushioned Platform
- 11160 Acrylic Mirrors

TECHNICAL SPECIFICATION

03.

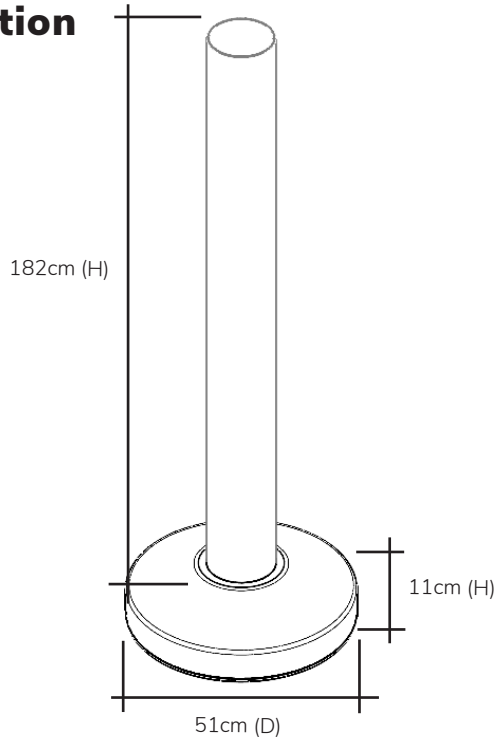
Included Parts & Materials

- Size: 182cm H overall
- Base Size: 51cm diameter x 11cmH
- Tube Diameter: 15cm
- Material: Acrylic Tube
- Power Supply: 230 volts
- Input 230v Output 12V AV 60W

(The power supply is UL listed – E1494743G58, and meets the requirements of BS EN61558-1 and BS EN61558-2-6)

- Remote control: Includes 3.7V Li-SOC12 batteries
- Rompa® Waterless Rainbow Tube is supplied in 2 boxes:
- 1 x Rompa® Waterless Rainbow Tube column
- 1 x Rompa® Waterless Rainbow Tube base
- Power supply
- 1 x remote control unit

Technical Specification



04.

SAFETY AND CARE

Product Safety and Care Instructions

Safety

Note: Always supervise the use of this product.

- Only use the power supply supplied with this Rompa® Waterless Rainbow Tube. Do not connect any other power supply as this may damage the light tube. We recommend that you label this power supply to identify it as a component of this product, so that should this be separated from the tube, you will be able to retrieve it without any confusion.
- Use indoors, in dry environments.
- This product is not a toy. Ensure that it is supervised at all times.
- The Rompa® Waterless Rainbow Tube should not be lifted up by the user or bumped into with force, as this could damage the product or cause injury.
- Remove all packaging before use and either store this in a safe place out of reach of clients or dispose of this responsibly. Plastic bags and wrapping can be hazardous to children and vulnerable people.
- Keep away from sources of heat and fire.
- Use with a collar if there is any risk of the column being knocked over.

Care and Maintenance

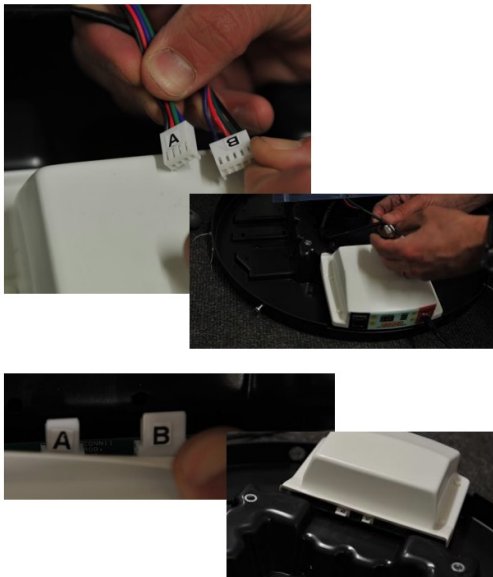
- All parts of the Rompa® Waterless Rainbow Tube should be checked regularly
- Store in a safe place out of direct sunlight when not in use.
- Do not allow unsupervised use of this product.
- Wipe off accidental marks using a mild detergent and a damp cloth, avoiding excessive amounts of water.
- Do not use cleaners with abrasives in them or solvent-based cleaners such as trichloroethane or carbon tetrachloride. Liquid detergents used to wash cups/plates etc. are ideal.

ASSEMBLY & INSTALLATION GUIDE

05.

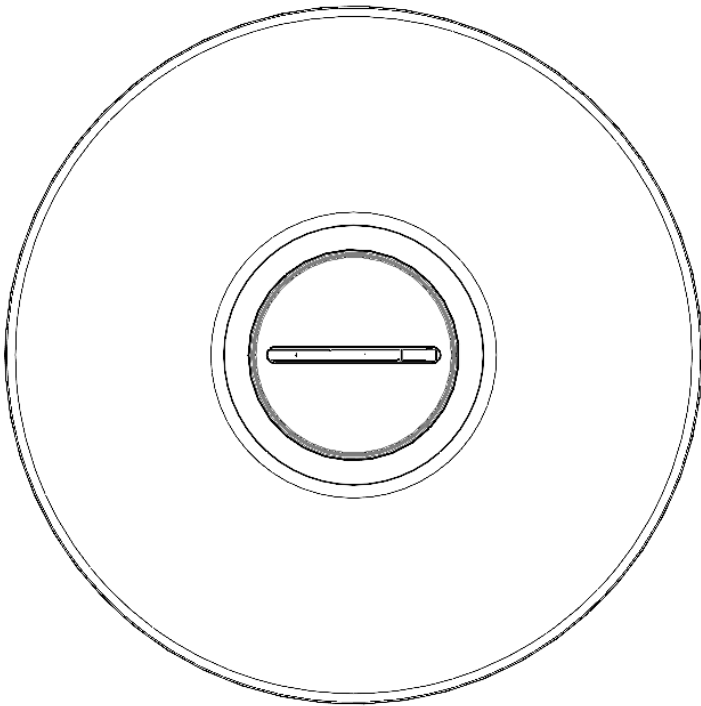
Product Assembly Guide/Installation

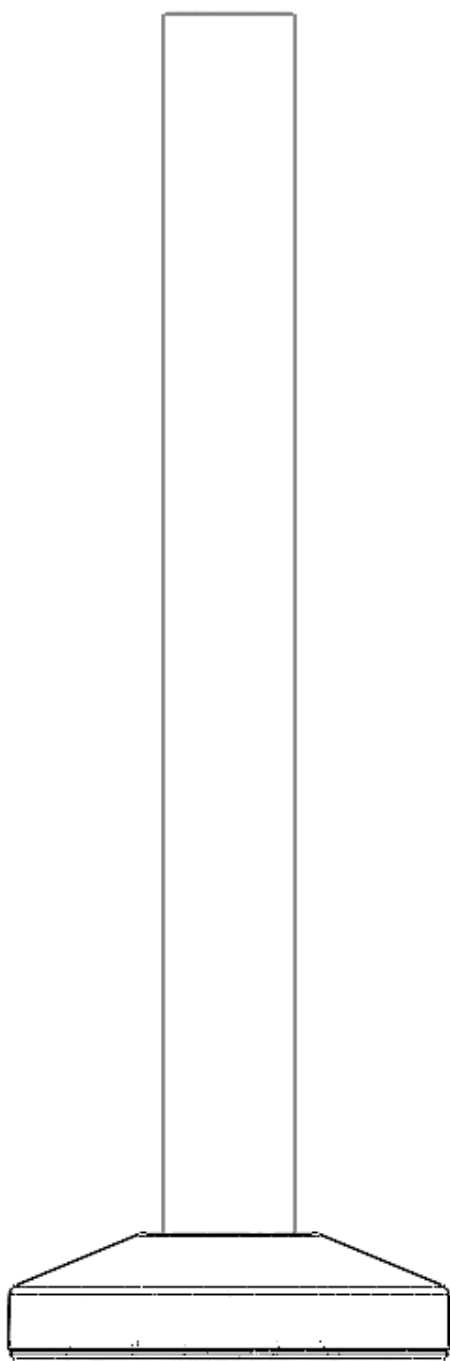
1. Two people will need to work together to assemble this product – one person to hold the tube steady and another to connect the connectors in the chassis.
2. Remove all packaging.
3. Check the product to ensure that it hasn't been damaged in transit. In the unlikely event that any problems are found, contact Rompa® immediately.
4. Attach the connectors from the two leads from the column to the connectors of the two leads in the base. There are only two possible pairs – one is 4-pin and the other is 5-pin so it should not be possible to connect a lead from the column to a wrong lead in the base.



5. There may be a round socket close to the A and B connectors shown above. Do not connect the power supply into this socket.
6. Secure the column to the base using the bolts provided in the base.
7. Connect the power supply to the circular POWER IN 12V AC socket on the tube base. This circular socket is to the extreme right of the control panel.
8. Plug the Rompa® Waterless Rainbow Tube into the mains and switch mains power on. One electrical socket is required.

9. Turn the LED Waterless Rainbow Tube on using the on/off switch at the rear of the base. A gentle humming sound will be heard and subtle vibrations felt (notably towards the lower part of the tube) from the pump in the base. These are intentional features to add multi-sensory value to the product.
10. Do not put any liquids, including water inside the tube.
11. install 3.7V Li-SOC12 batteries (to be purchased separately) inside the remote control. Slide the battery compartment door off the back of the remote control (not secured by a screw). Install 2 new 3.7V Li-SOC12 batteries following the polarity indicated.





USER GUIDE

06.

User Guide

Modes: The Rompa® Waterless Rainbow Tube features 23 selectable modes using the remote control's up and down arrows. The chosen mode is displayed on both the tube and the remote. The remote works even when the tube is in a cushioned platform.

MODES 1 to 5 are solid, non-moving light effects.

MODES 6 to 17 are changing light effects.

- MODE 1 - Solid, static red colour in the whole tube
- MODE 2 - Solid, static green colour in the whole tube
- MODE 3 - Solid, static blue colour in the whole tube
- MODE 4 - Solid, static yellow colour in the whole tube
- MODE 5 - Solid, static purple colour in the whole tube
- MODE 6 – No coloured lights when the mode is first selected, then blue light begins at the bottom of the tube and gradually fills up the tube until the whole tube is blue. Once the blue light has reached the top of the tube, red light gradually begins at the top of the tube and gradually fills down the tube. Once the red light has reached the bottom, green light fills the tube up, then a purple light fills down the tube and so on.
- MODE 7 – multi-coloured bars of light move up the tube with non-illuminated areas in between these bars
- MODE 8 - red bars of light move up the tube with non-illuminated areas in between these bars
- MODE 9 - purple bars of light move up the tube with non-illuminated areas in between these bars
- MODE 10 - blue bars of light move up the tube with non-illuminated areas in between these bars
- MODE 11 - green bars of light move up the tube with non-illuminated areas in between these bars
- MODE 12 - multi-coloured blocks of light move up the tube with non-illuminated areas in between these bars. The non-illuminated areas are smaller than in modes 7 to 11.
- MODE 13 – coloured light radiates out from the centre of the tube until the whole tube is illuminated. The colours change in sequence – yellow light fills the tube from the centre, then blue, then red, then green, then white, then purple, then yellow again.
- MODE 14 - coloured light radiates out from the top and bottom of the tube towards the centre until the whole tube is illuminated. The colours change in sequence – yellow light fills the tube from the centre, then blue, then red, then green, then white, then purple, then yellow again
- MODE 15 – coloured light fills the tube from the top to the bottom, changing colour in sequence
- MODE 16 – multi-coloured thin bars of colour move up the tube

- MODE 17 – bars of colour radiate out until all the tube is one colour. This changes colour in sequence.
- MODES 18 to 22 – ‘bubble’ effect in single colours – e.g. red or green
- MODE 23 – ‘bubble’ effect with continuously changing colour

*NB: Once set to mode 23, pressing the up arrow again will not change any setting – mode 1 will not be accessible. The down arrow must be used next.

** Modes 18 to 23 were added at the end of 2016 and were not present on the earliest Rompa® Waterless Rainbow Tubes.

Once switched off, the tube will start up in the last mode selected.

This waterless tube is not sound-responsive.

Pattern Speed:

The speed of the colour-changing patterns can be adjusted using the SPEED buttons on the remote control unit. The tube has 5 speed settings. Once the fifth speed has been selected (a 5 is visible in the digital display), a further press of the Speed up arrow will not change any setting – the Speed down must be pressed.

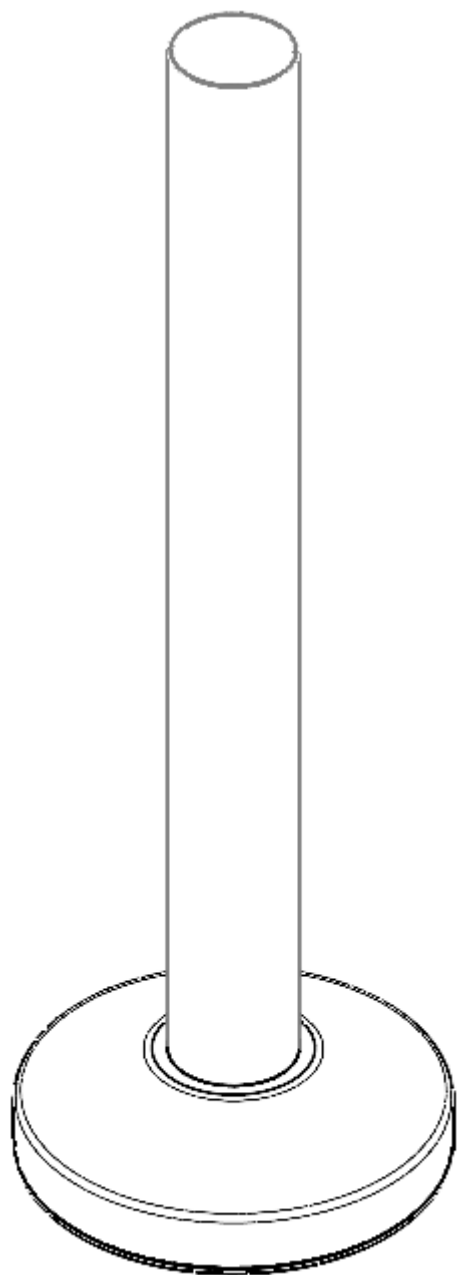
Using the Deluxe 8 colour wirefree controller 19847
(to be purchased separately)



Choose a colour and corresponding sound by pressing buttons 1 to 8

Pressing the central button will revert the tube to the last mode selected.

Please refer to the separate instructions for the 8 Colour Wirefree Controller This is an example of using just one of our Wi-Fi (wirefree) Controllers with this tube. Please refer to the list of compatible products above and refer to the separate instructions for each of these. Please note that once a Wi-Fi controller has been used, there will be a one minute delay after the last colour was chosen before the tube resumes its original non-interactive function.



TROUBLESHOOTING

07.

Troubleshooting

In the unlikely event of product failure, please check the following:

Mode will not change

- Check that the remote control has new batteries in it, and replace the batteries as required.

Will not power on

- Check the connection to the base of the tube and ensure it is fully inserted.
- Check the leads internally are connected and are fully inserted

If troubleshooting does not solve the issue please contact Rompa® Customer Services
+44 (0) 1246 211 777

snoezelen[®]



Life Changing Sensory Solutions For All

**Rompa[®] Limited, Goyt Side Road,
Chesterfield, S40 2PH**

customer.service@rompa.com

www.rompa.com

21475_300425