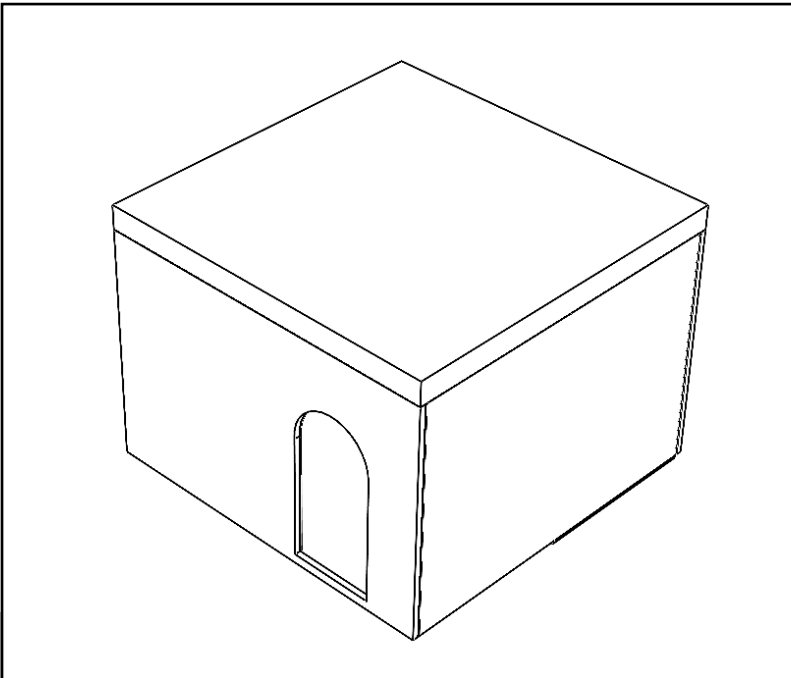




Life Changing Sensory Solutions For All

snoezelen®

# INSTRUCTION MANUAL



**DELUXE WI-FI CABIN**

**21935**

01.

**CONTENTS**

# CONTENTS

<b>ABOUT THE PRODUCT .....</b>	<b>4</b>
Product Description.....	5
User Benefits .....	5
Product Compatibility .....	5
<b>TECHNICAL SPECIFICATION .....</b>	<b>6</b>
Included Parts.....	7
Technical Specification .....	7
<b>SAFETY AND CARE.....</b>	<b>8</b>
Product Safety and Care Instructions .....	9
<b>ASSEMBLY &amp; INSTALLATION GUIDE</b>	<b>12</b>
Product Assembly Guide/Installation.....	13
<b>USER GUIDE .....</b>	<b>14</b>
User Guide.....	15
Troubleshooting.....	15
<b>NOTES.....</b>	<b>16</b>

02.

**ABOUT THE PRODUCT**

# Product Description

The Deluxe WiFi Cabin features a WiFi-compatible, colour-changing LED ceiling that enhances its visual appeal and interactivity. This addition offers an engaging sensory experience, making it an ideal space for relaxation, stimulation, or therapeutic use. With its vibrant lighting options, users can control and customise the atmosphere inside the cabin to suit individual needs and preferences.

# User Benefits

- Stimulates sight through colour-changing LED lights.
- Creates a private space for users, ideal for relaxation or focused activities.
- Softplay elements offer comfort and safety.
- Illuminated interior adds visual appeal and engagement.

# Product Compatibility

- Talking Cubes (18870, 20402)
- Colour Changing Panel (19214)
- 8 Colour Wireless Controller (19847, 21006)
- Wi-Fi Interactive Mat Switch Set (19939)
- Wi-Fi Microphone by Rompa® (21917)
- Sensory Magic™ Touch Screen (20848)
- Rompa® Wi Fi App Control Box (21728)
- Wi-Fi Override Transmitter (21918)

These accessories expand the functionality and versatility of your sensory space ensuring a rich and engaging sensory environment

# TECHNICAL SPECIFICATION

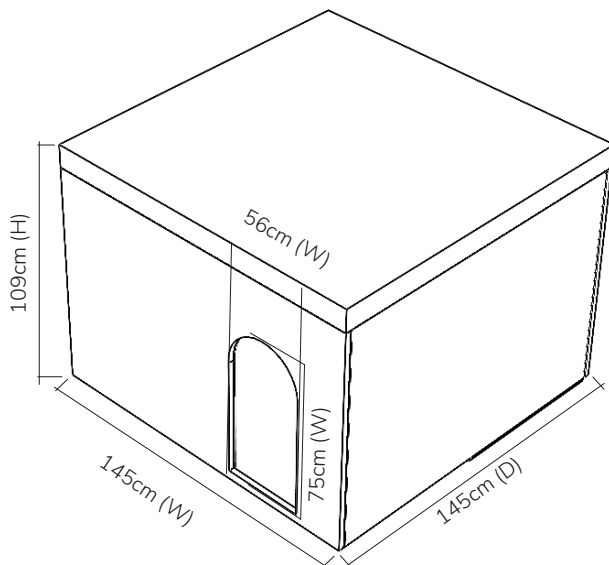
03.

## Included Parts

- Wood
- Foam
- PVC
- Fuse: There is a fuse in the UK plug only
- Power supply: UL US CE listed
- Lights: LEDs
- Weight: 130kg
- Foam: Latex-free

## Technical Specification

- Input: 100v/240V 1.5 Amp
- Output: 12V DC 5 Amp



04.

**SAFETY AND CARE**



# Product Safety and Care Instructions

## Safety:

Please read all the following safety information before each use.

ALWAYS SUPERVISE THE USE OF THIS PRODUCT

- Use only the power supply provided.
- Use indoors, in dry environments.
- Use on a flat, stable surface, capable of holding the product's weight and that of the person sat in it.
- Remove all packaging and either store this in a safe place out of reach of clients or dispose of this responsibly. Plastic bags and wrapping can be hazardous to children and vulnerable people.
- The Deluxe Wi Fi Cabin contains a foam filling. Do not attempt to access the interior part of this product. Never allow children or vulnerable people to access the interior part of this product.
- Do not place near sources of heat or fire that may damage the surface (radiators, fires, underfloor heating, hot central heating pipes etc.)
- Some of our products contain zips for manufacturing purposes only. Do not attempt to open these or to access the interior part of these products. Never allow children or vulnerable people to access the interior part of this product.
- Always supervise the use of resources.
- Organise a regular cleaning schedule.
- Vinyl will crack, tear and rub off if subjected to sharp objects or continual rubbing by hard objects. Remove shoes, and avoid buckles, zips or sharp/hard/pointed objects coming into contact with the surface.
- Check seams regularly to ensure that these are not worn or split and the interior filling cannot be accessed.
- Should any seams or the zip become damaged, contact Rompa® immediately to arrange repair or replacement. Should the product require re-filling, contact Rompa® to discuss this.

- Wipe off accidental marks/liquids at the time they occur or are noticed.
- From time to time, if possible, lift the item or move furniture to clean all surfaces and the floor underneath.
- Furniture and cushioning is intended to provide comfort and relaxation. Avoid eating and drinking whilst using the product.
- Direct contact with bright sunlight may affect material over time.
- Do not saturate the material with lots of water.

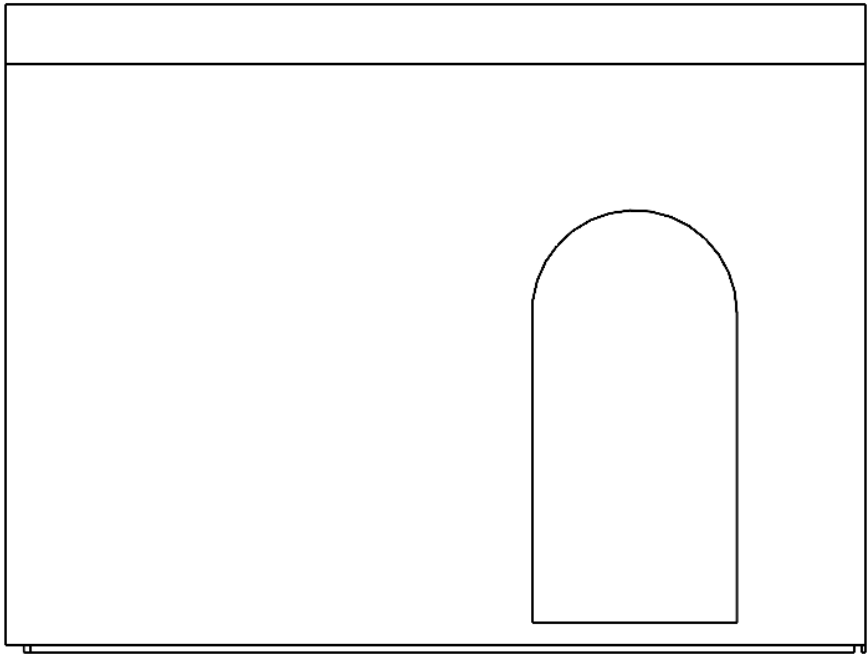
### **PVC (Vinyl)**

- Use a soft brush remove all loose dust/dirt.
- Clean with a mild detergent (such as Lux soap flakes in luke-warm solution) applied to a sponge or damp cloth.
- This may be sanitised using a weak solution of Milton fluid.
- Do not use excessive amounts of water and always ensure the PVC is dry after cleaning.
- Do not use an abrasive cleaning pad.
- Do not use boiling/very hot water, washing up liquid/aggressive detergent or solvent based cleaner as this will cause the coating to discolour and go hard.
- Steam cleaning is not advised.

### **Care and Maintenance:**

- The Deluxe Wi Fi Cabin should be cleaned with a slightly soapy cloth followed by a wipe down with a clean, dry cloth.
- Do not use abrasive cleaning products.
- This product uses LEDs for lighting. It is highly unlikely that the LEDs will need to be changed.
- Remove shoes before getting in the cabin to minimise the risk of damage to the fabric.
-

- Avoid sharp and pointed objects coming into contact with the fabric which could cause damage to the surface.
- Organise a regular cleaning schedule. Wipe off accidental marks/liquids using a mild detergent and a damp cloth, avoiding large amounts of water. Do not use abrasive cleaning products, or cleaning products with solvents in. Liquid detergents for washing dishes are ideal.



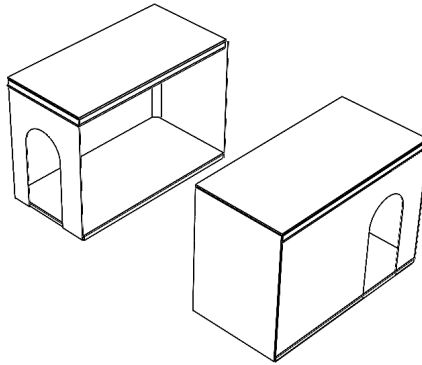
# ASSEMBLY & INSTALLATION GUIDE

05.

# Product Assembly Guide/Installation

Please note two people are required for the assembly of this product

- Join the two halves of cabin walls together. We recommend that these be put into the final location before being secured together due to the size and weight of product.
- When choosing the location of your Deluxe Wi Fi Cabin check:
  1. That you have a mains socket available close by when locating the cabin. The cable is located externally at the base of the half of the cabin and is 2 metres long.
  2. That the surface is flat, stable and holding the weight of the product.
- Once the Cabin halves are placed together, make sure they are level and square. To secure together you will require the screw pack supplied. See diagram below and place screws evenly apart – please locate the recommended fixing points marked down both sides of the cabin. The fixing points should be on the flat edge nearest to the inside wall:



- Please note that there are no pre-drilled holes. It is recommended that a battery powered screwdriver be used.
- Place the floor cushions inside the Deluxe Wi Fi Cabin. There are 2 floor cushions – one for each half. Please note that these will only fit in one way depending on where the door openings are placed. These cushions are removable for cleaning purpose.

06.

**USER GUIDE**

# User Guide

- Choose a location near a plug.
- Assess the indoor area where you are considering putting the equipment.
- Ensure that the position is suitable for people to access safely.
- Ensure all of the leads are connected properly.
- Plug in and switch on.

# Troubleshooting

Problem: No light

- Check that the cabin is plugged in.
- Check the fuse in the plug (UK only).
- Test another electrical product in the wall socket to see if it is functioning correctly.
- If there is still no light, please contact us for further assistance.

If troubleshooting does not solve the issue please contact Rompa® Customer Services:  
+44 (0)1246 211 777

# NOTES

07.









**snoezelen<sup>®</sup>**



Life Changing Sensory Solutions For All



Scan QR code  
for more info

**Rompa<sup>®</sup> Limited, Goyt Side Road,  
Chesterfield, S40 2PH**

**[customer.service@rompa.com](mailto:customer.service@rompa.com)**

**[www.rompa.com](http://www.rompa.com)**