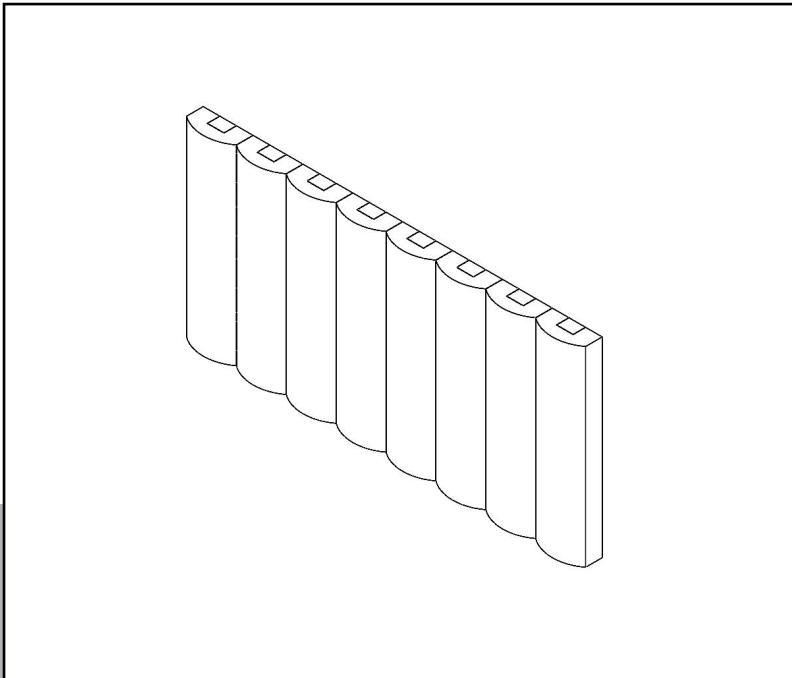




Life Changing Sensory Solutions For All

snoezelen®

INSTRUCTION MANUAL



**WIREFREE COLOUR CONTROL
BUMPAS - SET OF 8**

22716

01.

CONTENTS

CONTENTS

ABOUT THE PRODUCT	4
Product Description	5
User Benefits	5
Product Compatibility	5
TECHNICAL SPECIFICATION	6
Included Parts.....	7
Technical Specification	7
SAFETY AND CARE.....	8
Product Safety and Care Instructions	9
ASSEMBLY & INSTALLATION GUIDE	12
Product Assembly Guide/Installation.....	13
Troubleshooting	14
USER GUIDE	16
User Guide.....	17
FEATURES	20
NOTES.....	22

02.

ABOUT THE PRODUCT

Product Description

Wall mounted softplay bumpas, featuring vibration when they are pressed.

User Benefits

- Stimulates sight and touch.
- Interaction, cause and effect.

TECHNICAL SPECIFICATION

03.

Included Parts

Size 115cmH x 30cmW x 15cmD

Vinyl: Phthalate-free

Weight Approximately 5kg

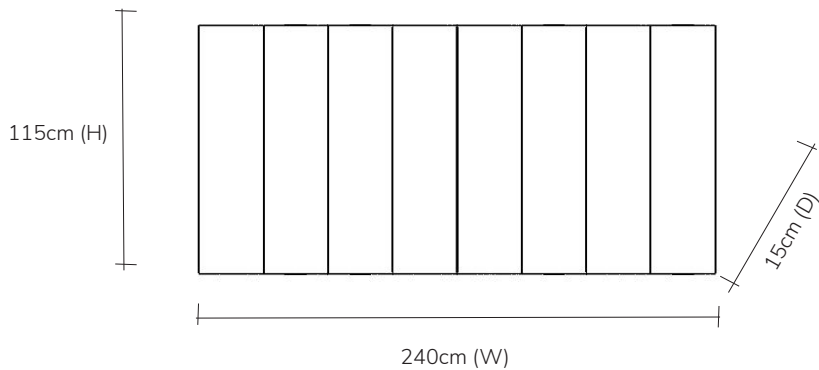
Power Supply

Up to 4 bumpas – 4 amp

Up to 7 – 6 amp

Up to 15amp

Technical Specification



04.

SAFETY AND CARE

Product Safety and Care Instructions

- Use indoors, in dry environments.
- Supervise the use of this product.
- Use on a flat, stable surface, capable of holding the product's weight and that of the person sat on it.
- Always supervise the use of this product.
- Remove all packaging and either store this in a safe place out of reach of clients or dispose of this responsibly. Plastic bags and wrapping can be hazardous to children and vulnerable people.
- The bumpa contains a foam filling. Do not attempt to access the interior part of this product. Never allow children or vulnerable people to access the interior part of this product.
- Should any seams or the zip become damaged, contact Rompa® immediately to arrange repair or replacement. Should the product require re-filling, contact Rompa® immediately to discuss this.
- Avoid sharp or pointed objects which could puncture the product. Take care with zips on clothing etc. Remove shoes.
- Do not place near sources of heat or fire that may damage the surface (radiators, fires, underfloor heating, hot central heating pipes etc.)
- Should any seams or zips become damaged, contact Rompa® immediately to arrange repair or replacement. Should the product require re-filling, contact Rompa® immediately to discuss this.
- Some of our products contain zips for manufacturing purposes only. Do not attempt to open these or to access the interior part of these products. Never allow children or vulnerable people to access the interior part of this product.

Care and Maintenance

- For indoor use only.
- Always supervise the use of resources.
- Organise a regular cleaning schedule.
- Vinyl will crack, tear and rub off if subjected to sharp objects or continual rubbing by hard objects. Remove shoes, and avoid buckles, zips or sharp/hard/pointed objects coming into contact with the surface.
- Check seams regularly to ensure that these are not worn or split and the interior filling cannot be accessed.
- Wipe off accidental marks/liquids at the time they occur or are noticed.
- From time to time, if possible, lift floor cushion or move furniture to clean all surfaces and the floor underneath.
- Furniture and cushioning is intended to provide comfort and relaxation. Avoid eating and drinking whilst using these products.

- If the material for your furniture can be steam cleaned, please exercise great caution for the simple reason that when creating furniture, seams and stitching are necessary which create tiny holes where it is possible for liquid to get through into the inner foam. Should a lot of steam/water be accidentally used, there is potential for the inner foam to get saturated and be detrimental to your furniture.
- Do not place near sources of heat or fire that may damage the surface (radiators, fires, underfloor heating, hot central heating pipes etc.)
- Direct contact with bright sunlight may affect material over time.
- Do not saturate the material with lots of water.
- Some of our products contain zips for manufacturing purposes only. Do not attempt to open these or to access the interior part of these products. Never allow children or vulnerable people to access the interior part of this product.

PVC (Vinyl)

- Use a soft brush remove all loose dust/dirt.
- Clean with a mild detergent (such as Lux soap flakes in luke-warm solution) applied to a sponge or damp cloth.
- This may be sanitised using a weak solution of Milton fluid.
- Do not use excessive amounts of water and always ensure the PVC is dry after cleaning.
- Do not use an abrasive cleaning pad.
- Do not use boiling/very hot water, washing up liquid / aggressive detergent or solvent based cleaner as this will cause the coating to discolour and go hard.
- Steam cleaning is not advised.

ASSEMBLY & INSTALLATION GUIDE

05.

Product Assembly Guide/Installation

The Rompa® Rainbow Bumpas with Vibration must be first 'daisy-chained' together before plugging in at the wall. With the exception of the first and last Bumpa (a label on the back indicates their number), each Bumpa has two leads coming from the back of them.

One lead has a 'female' crimp (spade connector) at the end; the other has a 'male' crimp. Connect the male crimp of one Bumpa into the female crimp of the neighbouring bumpa, taking care to match the colours – brown wire to brown wire; blue wire to blue wire.

Make sure the male crimp is pushed securely into the female crimp. You may wish to carefully use pliers to ensure a good connection.

The first bumpa has a cable with the power supply attached (please see image below) and a female crimp.

The last bumpa in the sequence has only one crimp.

When all the bumpas are correctly linked together, plug in the power supply at the wall. Make sure that all the Bumpas are working before securing them to the wall.

Use the mirror plates attached to the Bumpas to secure the Bumpas to the wall. Each bumpa has a mirror plate at the top and another at the bottom.

When attaching these to the wall, bear in mind the following:

- Fixings (e.g. screws) are not included.
- The construction of your wall – make sure the screws, fixings etc you purchase are appropriate to the construction of the wall and the weight of each Bumpa – approx 5kg.
- Do not place any strain on the daisy-chain links between the Bumpas so as not to disconnect these.
- Any floor cushioning to be installed – allow room for this.

Make sure there are no cables, pipes etc behind the bumpas where you intend to drill.

Make sure the product is properly assembled and stable before each use.

OPERATION

Press the Bumpa to activate vibration. The two circles stitched on each indicate where you need to press.

- There is no ON/OFF switch on the product itself.
- There is no intensity controller – the intensity cannot be regulated.
- The vibration creates some noise – this is normal and should not be considered a defect.

06.

USER GUIDE

User Guide

This can include troubleshooting information if applicable.

In the unlikely event of product failure, please check the following:

Problem: No vibration

- Make sure all Bumpas are correctly linked.
- Make sure the lead from the power supply is plugged in at the wall.
- Change the fuse in the UK plug as required (3A)

FEATURES

08. 



NOTES

07.

snoezelen[®]



Life Changing Sensory Solutions For All

**Rompa[®] Limited, Goyt Side Road,
Chesterfield, S40 2PH**

customer.service@rompa.com

www.rompa.com

22716_200224