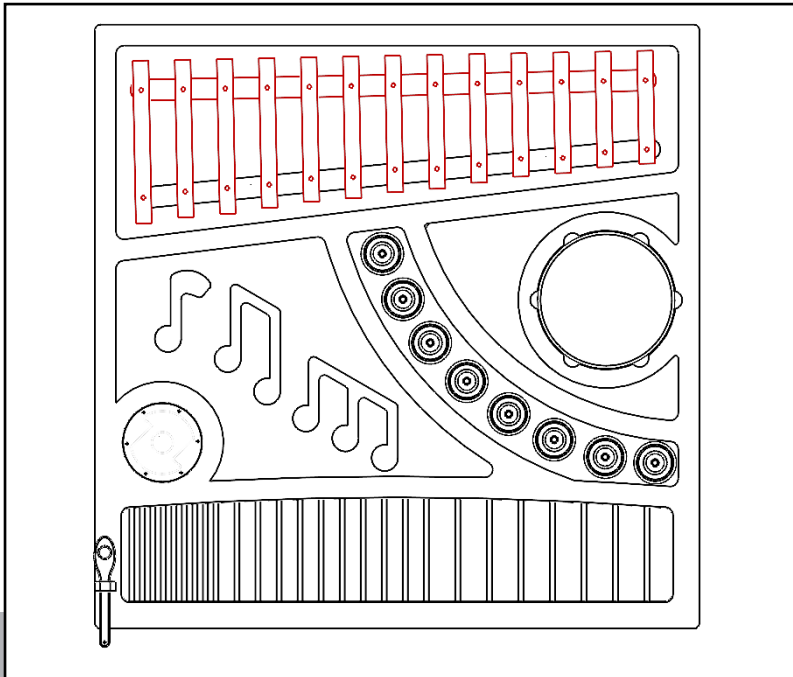




Life Changing Sensory Solutions For All

snoezelen®

INSTRUCTION MANUAL



**SNOEZELEN® MUSICAL ABSTRACT
TACTILE PANEL**

22959

01.

CONTENTS

CONTENTS

ABOUT THE PRODUCT	4
Product Description	5
User Benefits	5
TECHNICAL SPECIFICATION	6
Included Parts.....	7
Technical Specification	7
SAFETY AND CARE.....	8
Product Safety and Care Instructions	9
ASSEMBLY & INSTALLATION GUIDE	10
Product Installation.....	11
Care and Maintenance.....	11

02.

ABOUT THE PRODUCT

Product Description

This fun panel is all about engaging your senses—it's visually exciting, touch-friendly, and full of delightful sounds! With its inviting textures and interactive activities, it makes the panel perfect for exploring, learning, and having a good time. Featuring a variety of playful shapes and contrasting textures, this modern panel is pleasing to both your hands and your eyes. It's not just about play; it also helps build social skills like conversation, listening, and taking turns, all while sparking imagination and creativity. Plus, it's a great way to learn about colours and improve visual perception, encouraging movement and fine motor skills in a hands-on way. Enjoy the journey of discovery!

Visual, tactile and especially audible. Stimulating sounds, engaging activity and inviting textures. Lovely for exploring, comparing, learning and enjoying.

- Use the provided beaters to interact with the acrylic slide and the xylophone
- Press the bells to play different notes
- Spin the rain drum to watch the beads fall and hear the noise

User Benefits

Stimulates sight, sound and touch. Useful for colour recognition, visual perception and discrimination, the panel allows different movements and use of fine motor function.

This panel has many uses including:

- Encouraging social skills such as listening and turn-taking
- Exploration of the textures and sounds for enjoyment, not as part of a goal-orientated activity so there is no pressure to achieve
- Tracing lines and visual tracking
- Stimulating conversation and an awareness of preferences e.g. the different sounds can encourage discussion about likes and dislikes
- Imaginative play
- Orientation - as tactile signposting along corridors for those with visual impairments.

TECHNICAL SPECIFICATION

03.

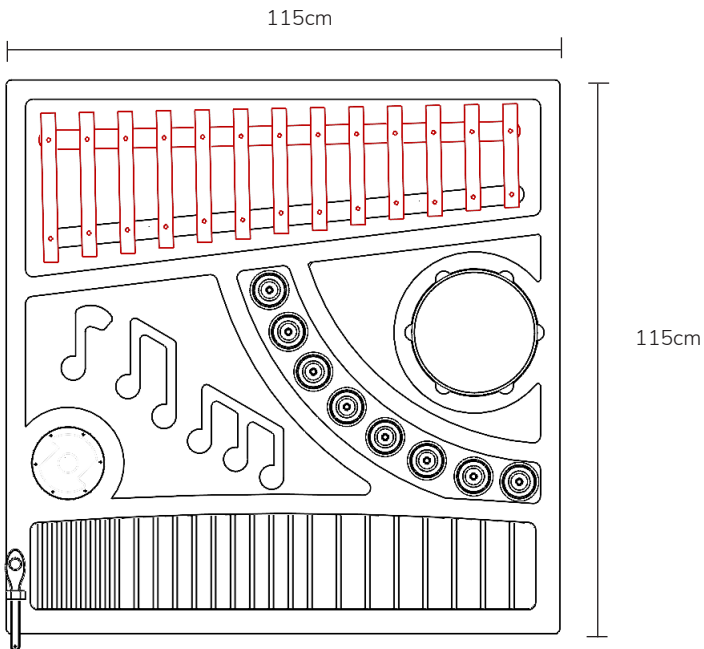
Included Parts

1x Musical Abstract Tactile Panel with 2 beaters

Technical Specification

Weight: 23kg

Dimensions: 115H x 115Wcm



04.

SAFETY AND CARE

Product Safety and Care Instructions

Operation

- Panel must always be used under supervision.
- Do not strike the panel. The panel is built robustly but intentional misuse will shorten the product's lifespan.
- Do not open or attempt to repair the panel yourself as this may cause injury and invalidate the warranty.

Care and maintenance

To prolong its product life, please read the following instructions when installing and operating this panel:

- Avoid food or drinks near this panel.
- Do not attempt to physically damage the product including the electronics, screen and buttons.
- Ensure loose wires are out of sight.
- At the end of the product's life please dispose of the product ethically:
- Product can be taken to local recycling centre. Visit [RecycleNow.com](https://www.recycle-now.com) to find your local recycling centre.
- Some councils offer a household recycling collection service. Contact your local authority for more details.



ASSEMBLY & INSTALLATION GUIDE

05.

Installation steps

Install onto the wall like standard tactile panels.

IMPORTANT - Wall-mount this product before use taking the following into account:

- Purchase and use appropriate fixings (not included)
- Fixings will depend on the construction of your wall
- The fixings chosen must be capable of holding the weight of the panel (approximately 23kg)
- The wall must be of solid enough construction to hold the panel
- Ideally attach fixings to the MDF side edges of the back, rather than to the back board as the sides are likely to be stronger. The panel is largely hollow inside. We recommend the use of several fixings for security.
- The cylinder at the bottom of the panel sits proud of the panel. If using in an environment with deep floor mats, make sure the cylinder sits above the floor (i.e. raise the panel above the floor level) so as to avoid squashing down any mats.
- Wall-mount at a height that is comfortable for users i.e. that the components can be comfortably reached.
- Wall-mount the panel as shown in the image above – if not installed this way round, it will not be possible to ring the bells on the curve to the left of, and below the tambourine.

Care and Maintenance

Wipe clean using a soft clean cloth that has been very slightly dampened with a very mild cleaning product.

Make sure the beaters are placed back in the holders at each side of the cylinder towards the bottom of the panel to avoid loss or misplacing.



snoezelen[®]



Life Changing Sensory Solutions For All

**Rompa[®] Limited, Goyt Side Road,
Chesterfield, S40 2PH**

customer.service@rompa.com

www.rompa.com

22959_280425