

## 1. Product Name

Wheeled Frame for Compact Mobile Interactive Floor Projection

## 2. Product Code

23417

## 3. Colour

Likely to be as shown (right)

## 4. Brief Description

Optional trolley for projecting onto a table top or wheelchair tray

## 5. Contents

- 1 x frame

## 6. Snoezelen® Stimulations

- *Not applicable*

## 7. Best Use

Use with 23386 Compact Mobile Interactive Floor Projection.

## 8. Compatible ROMPA® Products

23386 Compact Mobile Interactive Floor Projection



## 9. Starting Up

- Attach the projection unit to the plate at the top of the stand.
- Use the shelf for the keyboard.

## 10. Detailed Description

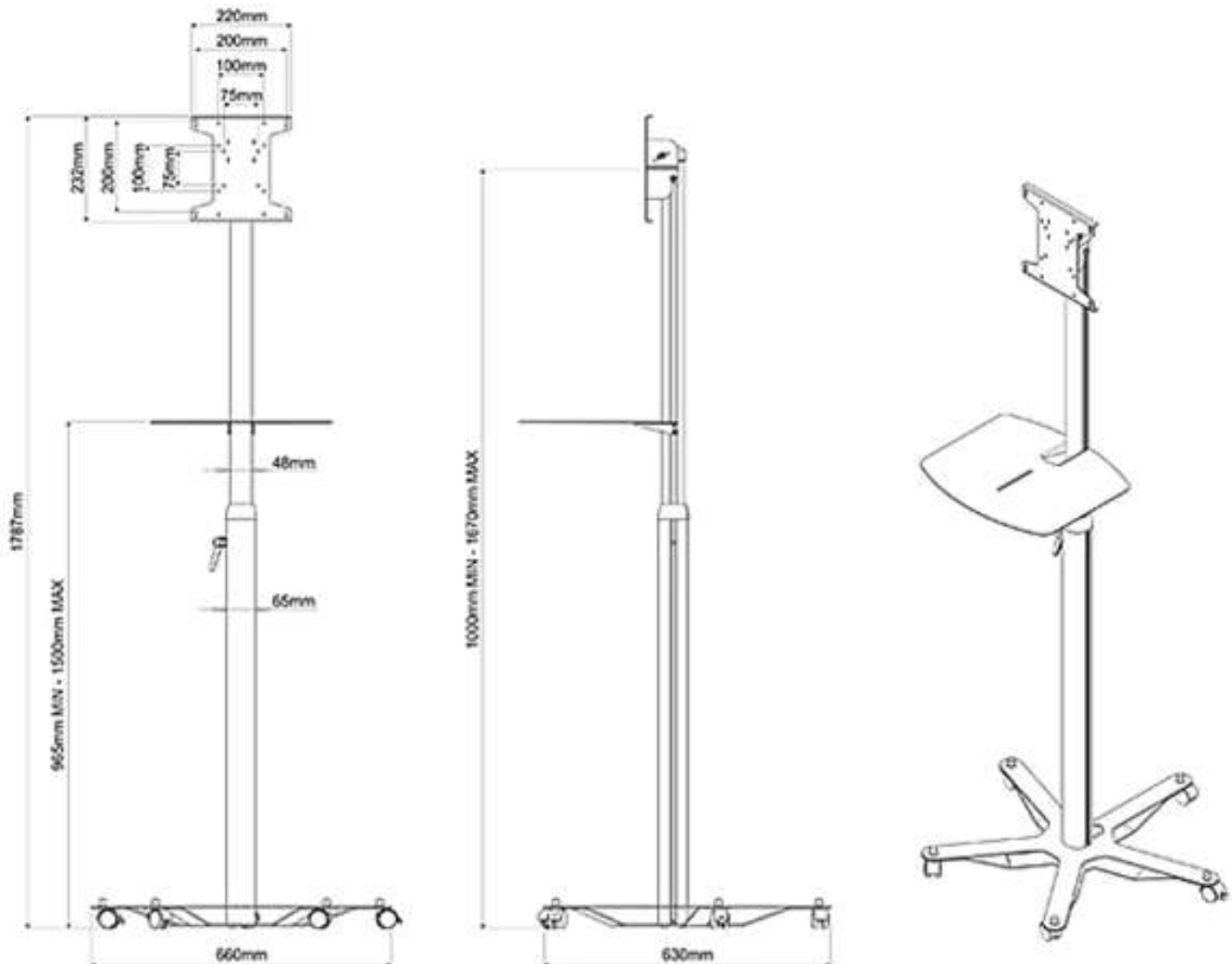
Optional trolley for projecting onto a table top or wheelchair tray

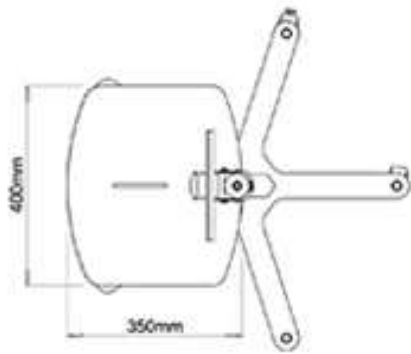
## 11. Safety

- Always supervise the use of this product.
- This is for moving the Compact Mobile Interactive Floor Projection and should not be used with other products. Do not place anything else on the stand.
- Do not lean on the stand or exert pressure onto it.

## 12. Technical Specification

Size: 95 to 150cmH, 66cm diameter at the base





### 13. Installation

1. Use the four wing nuts to secure the projection unit to the plate at the top of the stand. There are four screws at the back of the projection unit.



2. Use the shelf for the keyboard.
3. Adjust the stand height as required using the lever on the pole of the stand.



## 14. Care and Maintenance

1. Move the frame carefully using the wheels at the base. Don't forget to unplug the projection unit from the wall socket as necessary.



## 15. Troubleshooting

*Not applicable*

Further copies of these instructions can be downloaded at [www.rompa.com](http://www.rompa.com)

We hope you find our instructions invaluable. If you have any suggestions for improving them further your comments will be greatly received – please contact us at [producthelp@rompa.com](mailto:producthelp@rompa.com)