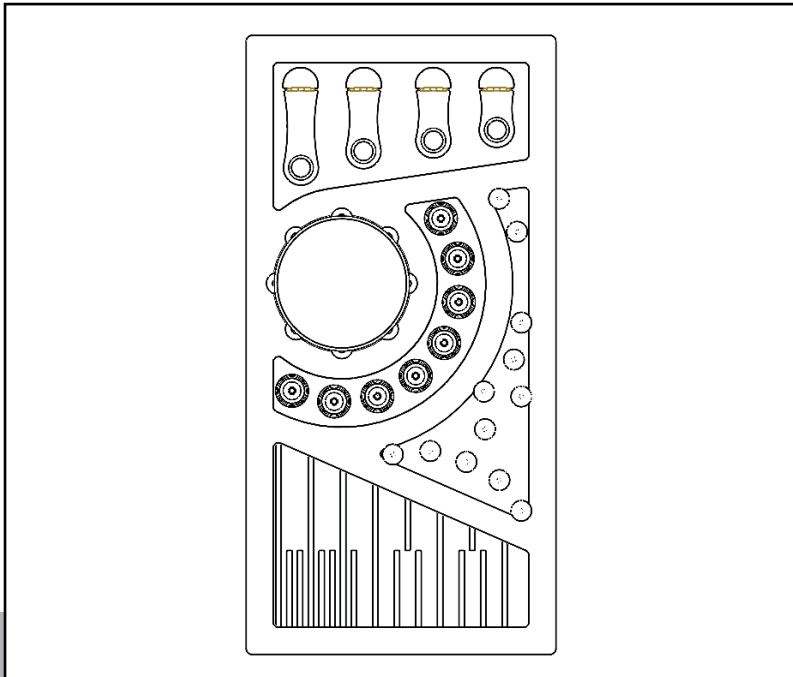




Life Changing Sensory Solutions For All

snoezelen[®]

INSTRUCTION MANUAL



MIDI MUSICAL TACTILE PANEL

23452

01.

CONTENTS

CONTENTS

ABOUT THE PRODUCT	4
Product Description.....	5
User Benefits	5
TECHNICAL SPECIFICATION	6
Included Parts.....	7
Technical Specification	7
SAFETY AND CARE.....	8
Product Safety and Care Instructions	9
ASSEMBLY & INSTALLATION GUIDE	10
Product Assembly Guide/Installation.....	11
USER GUIDE	12
User Guide.....	13
NOTES.....	14

02.

ABOUT THE PRODUCT

Product Description

This interactive wall-mounted sensory panel offers a multi-sensory experience that is visual, tactile, and especially audible. It is designed to stimulate the senses through engaging sounds, inviting textures, and playful activities, making it ideal for exploration and discovery. Users can enjoy comparing and contrasting different surfaces, encouraging learning and sensory development.

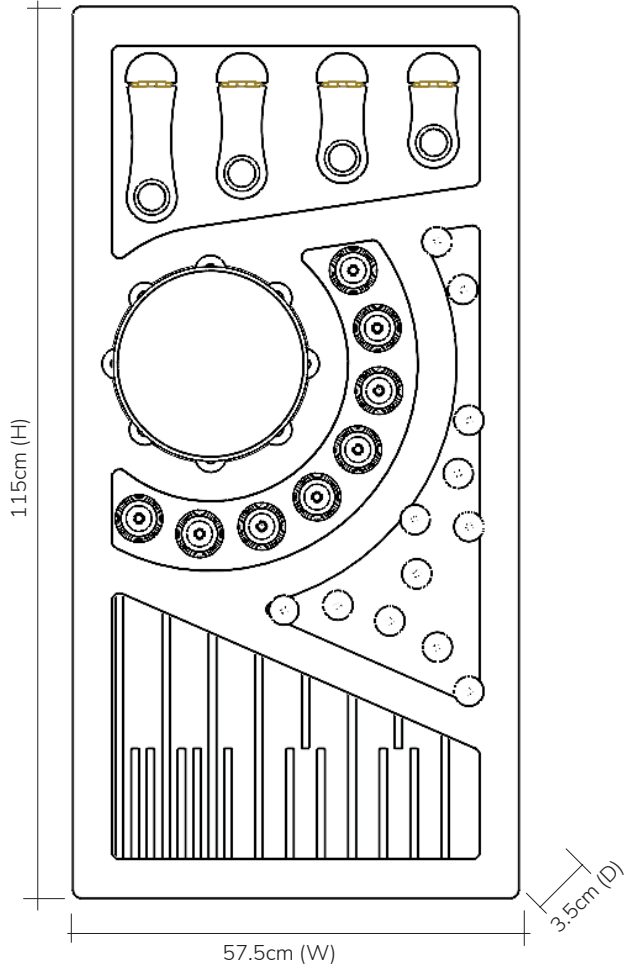
The panel is also a fantastic tool for promoting social skills such as conversation, listening, and turn-taking, while supporting imaginative and creative interaction. With its vibrant colours and varied features, it captivates attention and fosters group engagement. Please note that colours and features may vary slightly. It is designed to be wall-mounted in the orientation shown and is also available in a standard size to accommodate various room specifications.

User Benefits

- **Stimulates Sight:** The bright colours and dynamic patterns visually engage users, capturing their attention and encouraging visual tracking and exploration.
- **Stimulates Sound:** Interactive elements produce a range of captivating sounds, enhancing auditory perception and offering a rich sensory experience.
- **Stimulates Touch:** The panel's varied textures invite users to explore through touch, promoting tactile stimulation and sensory integration.

TECHNICAL SPECIFICATION

03.



04.

SAFETY AND CARE

Product Safety and Care Instructions

Safety:

Always supervise the use of this product to ensure safe and appropriate interaction.

Care and Maintenance:

Wipe clean using a soft cloth that has been very slightly dampened with a mild cleaning product. To prevent loss or misplacement, ensure that the beaters are placed back into the designated holder located on bottom left corner after use. Regular maintenance will help keep the product in excellent condition for continued enjoyment.



ASSEMBLY & INSTALLATION GUIDE

05.

Product Assembly Guide/Installation

IMPORTANT: Wall-mount this product before use, taking the following points into account:

- **Purchase and Use Appropriate Caps:** Select suitable fixings based on the wall construction. Note that fixings are not included with the panel.
- **Wall Construction:** The fixings required will vary depending on the type of wall material (e.g. drywall, brick, concrete).
- **Weight Capacity:** Ensure the chosen fixings can securely support the weight of the panel, which is approximately 23 kg.
- **Wall Stability:** Verify that the wall is of solid construction and capable of holding the panel without risk of collapse.
- **Fixing Recommendations:** For enhanced stability, attach the fixings to the MDF side edges of the back panel, rather than to the backboard itself, as the side edges are likely to be stronger. Since the panel is largely hollow inside, we recommend using multiple fixings to secure it safely.
- **User Accessibility:** Mount the panel at a height that allows comfortable reach for users, ensuring that all interactive components are easily accessible.
- **Orientation:** The panel must be wall-mounted in the orientation shown in the reference image. Incorrect installation will prevent certain components (e.g. the bells on the curve) from functioning as intended.

06.

USER GUIDE

User Guide

To get the most out of this product, wall-mount it securely before use. This versatile sensory panel supports a variety of developmental skills and sensory experiences, making it ideal for multiple settings and user needs. It is particularly useful for colour recognition, visual perception, and fine motor development through different movements and tactile exploration.

Key Uses and Benefits:

- Encourages social skills: Supports social interactions such as listening, turn-taking, and cooperative play, fostering a sense of community and shared engagement.
- Exploration and enjoyment: Users can explore the textures and sounds for pure sensory enjoyment without pressure to achieve specific goals, promoting relaxation and discovery.
- Line tracing and visual tracking: The varied shapes and elements provide an opportunity for tracing lines, visual tracking, and hand-eye coordination.
- Stimulating conversation: The distinct sounds and textures can prompt discussions about likes, dislikes, and sensory preferences, creating opportunities for conversation and self-expression.
- Imaginative play: The diverse components lend themselves to imaginative and creative interactions, allowing users to invent their own stories and scenarios.
- Orientation for visual impairments: When installed in a series along hallways, this panel can act as tactile signposting for individuals with visual impairments, providing important cues and orientation markers to guide them through spaces.
- By integrating these various activities, the panel offers a rich sensory experience that can be tailored to meet the needs and preferences of each user.

NOTES

07.

snoezelen[®]



Life Changing Sensory Solutions For All

**Rompa[®] Limited, Goyt Side Road,
Chesterfield, S40 2PH**

customer.service@rompa.com

www.rompa.com

23452_210125