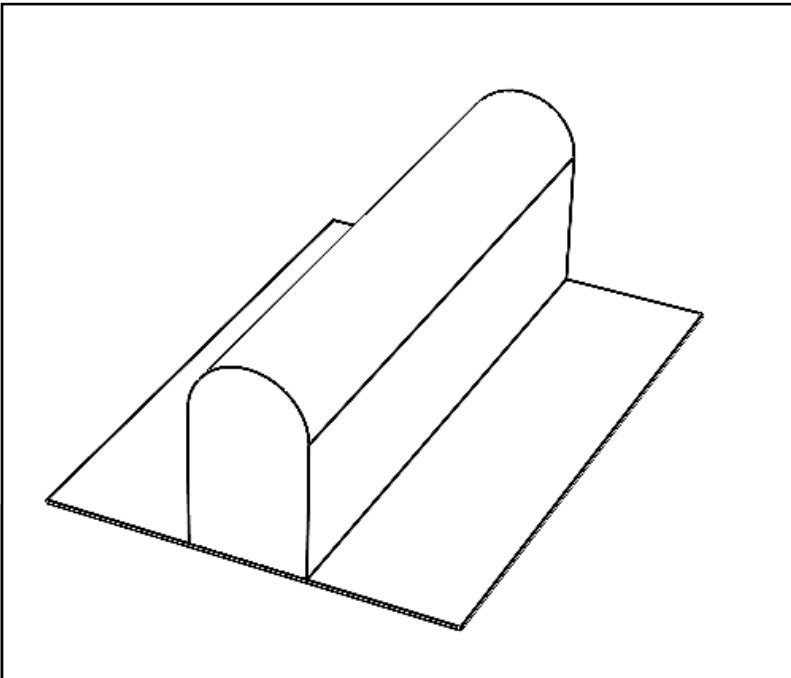




Life Changing Sensory Solutions For All

snoezelen®

INSTRUCTION MANUAL



SOFTSTRIDE BALANCE BEAM

23653

01.

CONTENTS

CONTENTS

ABOUT THE PRODUCT	4
Product Description.....	5
User Benefits	5
Product Compatibility	5
TECHNICAL SPECIFICATION	6
Included Parts.....	7
Technical Specification	7
SAFETY AND CARE.....	8
Product Safety and Care Instructions	9
ASSEMBLY & INSTALLATION GUIDE	10
Product Assembly Guide/Installation.....	11
NOTES.....	12

02.

ABOUT THE PRODUCT

Product Description

The Softstride Balance Beam is a versatile soft play piece designed to be positioned between two floor mats, creating a safe and supportive environment for users to practice their balancing skills.

Its soft and cushioned surface encourages users to walk along the beam confidently, helping to build stability, coordination, and core strength. Whether used as part of a sensory play area or a therapeutic exercise routine, this beam provides an engaging way for children and adults alike to develop their motor skills and spatial awareness. By offering a safe platform to test their abilities, the Softstride Balance Beam fosters both physical growth and self-assurance.

User Benefits

- By walking across the beam, users actively engage their vestibular senses, enhancing their body's awareness of movement and spatial orientation.
- Helps improve overall balance and stability, contributing to better coordination and motor control.
- Encourages active play, making physical activity enjoyable while promoting strength and agility.

Product Compatibility

The Softstride Balance Beam is fully compatible with Rompa® Floor Mats and a variety of other soft play furnishings. By positioning the beam between the floor mats, users can create a seamless and safe play environment that enhances the overall experience. This compatibility allows for a versatile setup, enabling easy integration into existing sensory and play areas. Additionally, it encourages creative play configurations, making it a valuable addition to any soft play space designed for development and fun.

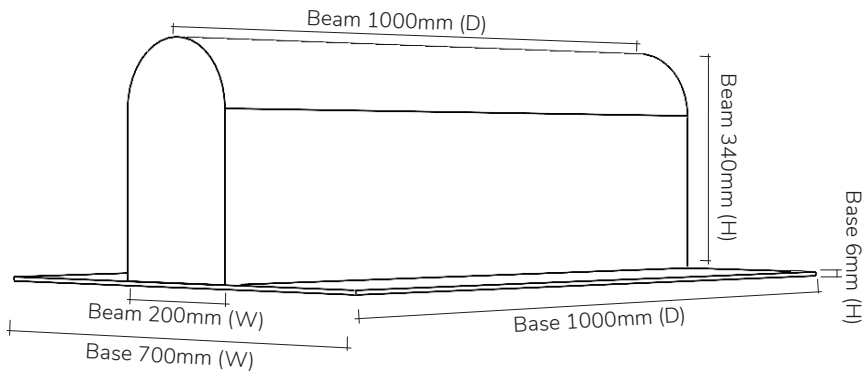
TECHNICAL SPECIFICATION

03.

Included Parts

The Softstride Balance Beam includes a combination of high-quality materials for durability and safety. It features a soft foam surface that provides cushioning for users as they practice their balancing skills. The beam is constructed with sturdy wood, ensuring stability and support during use. Additionally, PVC is utilized in the design, adding to the overall resilience and longevity of the product. Together, these materials create a reliable and enjoyable balance beam experience for users.

Technical Specification



04.

SAFETY AND CARE

Product Safety and Care Instructions

When setting up the unit, ensure it is always supervised to maintain a safe environment. Be mindful of potential tripping hazards and position the unit away from any non-soft play walls or hard surfaces. Surround the entire area with soft play mats to create a secure and cushioned play zone. This will help minimize the risk of injuries and ensure that children can interact safely with the equipment. Proper placement and ongoing monitoring are crucial to creating a safe and engaging play experience for all.

PVC:

- Use a soft brush remove all loose dust/dirt. Clean with a mild detergent (such as Lux soap flakes in luke-warm solution) applied to a sponge or damp cloth.
- This may be sanitised using a weak solution of Milton fluid.
- Do not use excessive amounts of water and always ensure the PVC is dry after cleaning.
- Do not use an abrasive cleaning pad.
- Do not use boiling/very hot water, washing up liquid / aggressive detergent or solvent based cleaner as this will cause the coating to discolour and go hard.
- Steam cleaning is not advised.



ASSEMBLY & INSTALLATION GUIDE

05.

Product Assembly Guide/Installation

To assemble, start by positioning the beam with the wooden side facing down. Ensure that soft floor mats are placed on either side to fully cover the exposed wooden base sections, providing a safe and cushioned environment around the unit. For maintenance, simply wipe clean using a soft cloth to keep the product in good condition. Regular care will help maintain its appearance and longevity, ensuring a safe and pleasant play experience.



NOTES

06.

snoezelen[®]



Life Changing Sensory Solutions For All

**Rompa[®] Limited, Goyt Side Road,
Chesterfield, S40 2PH**

customer.service@rompa.com

www.rompa.com

23653_240225