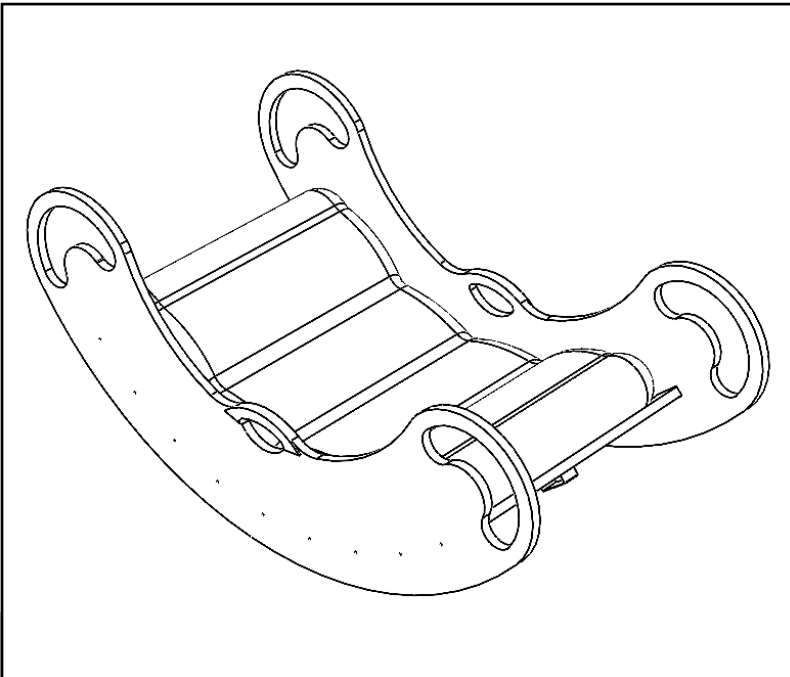




Life Changing Sensory Solutions For All

snoezelen®

# INSTRUCTION MANUAL



**3-IN-1 ROCK & PLAY**

**PRODUCT CODE**

**23657**

01.

**CONTENTS**

# CONTENTS

<b>ABOUT THE PRODUCT .....</b>	<b>4</b>
Product Description.....	5
User Benefits .....	5
<b>TECHNICAL SPECIFICATION.....</b>	<b>6</b>
Included Parts.....	7
Technical Specification .....	7
<b>SAFETY AND CARE.....</b>	<b>8</b>
Product Safety and Care Instructions .....	9
<b>FEATURES.....</b>	<b>10</b>
<b>NOTES.....</b>	<b>12</b>

02.

**ABOUT THE PRODUCT**

# Product Description

The 3-in-1 Rock & Play is a versatile wooden rocker designed with two sturdy sides and slats in between for added stability and safety. Its unique arch can be positioned downward to create a gentle rocking motion for users, promoting balance and coordination. When flipped upwards, it transforms into a climbing bridge, encouraging active play and physical engagement. Additionally, when placed sideways, it serves as an imaginative roleplay surface, providing endless opportunities for creative play. To enhance comfort and safety, the rocker features a soft-play wrap that covers both sides of the slats, ensuring a padded surface for users during all activities. This multi-functional piece is ideal for fostering physical development and imaginative play in a safe environment.

# User Benefits

- **Child-Centric Design:** Specifically crafted for children, ensuring safety and engagement during play.
- **Rocking Mode:** Promotes soothing motion, helping children develop balance and spatial awareness while enjoying the calming effects of rocking.
- **Bridge Mode:** Encourages gross motor skills and coordination as children climb and navigate the structure, fostering physical development and confidence in their abilities.
- **Roleplay Station Mode:** Supports communication, social interaction, and imaginative play, allowing children to engage in creative storytelling and collaborative activities with peers, enhancing their social skills and creativity.

# TECHNICAL SPECIFICATION

03.

## Included Parts

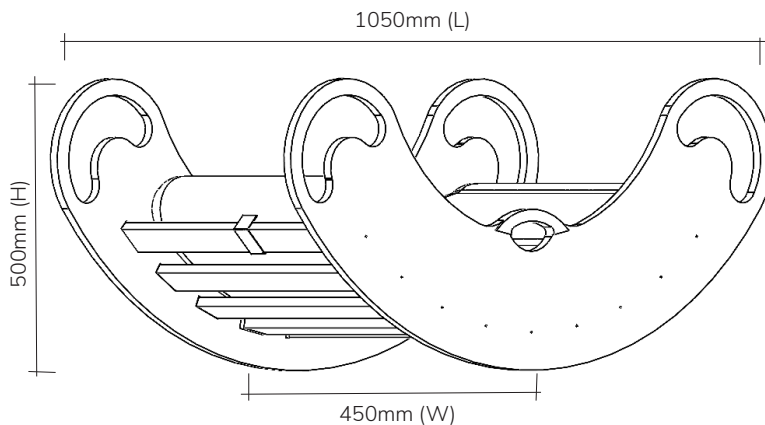
The 3-in-1 Rock & Play includes two main components for easy setup:

**Wooden Section:** The wooden rocker comes fully assembled as one solid piece, providing immediate stability and safety for use.

**Fabric-Covered Foam:** The padded, fabric-covered foam section, equipped with a Velcro strip, is designed to be attached easily to the wooden rocker, ensuring comfort and safety for users during play.

These two parts combine to create a versatile and engaging play structure, ready for a variety of activities.

## Technical Specification



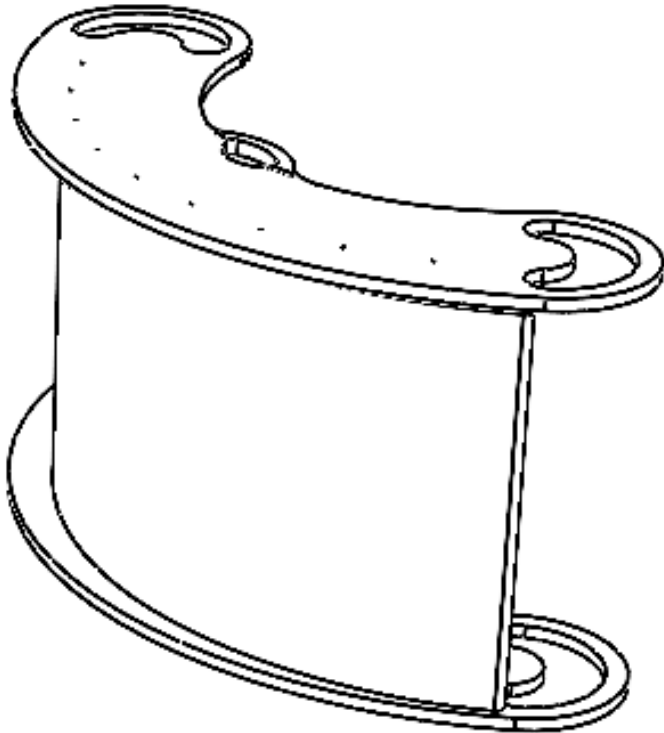
04.

**SAFETY AND CARE**

# Product Safety and Care Instructions

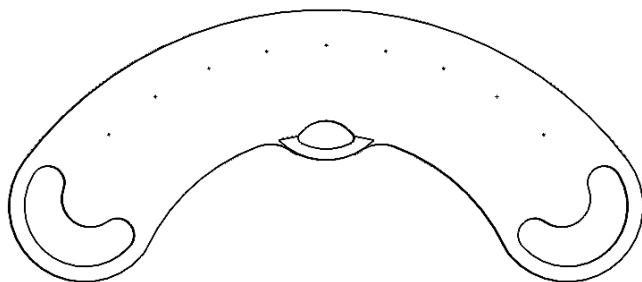
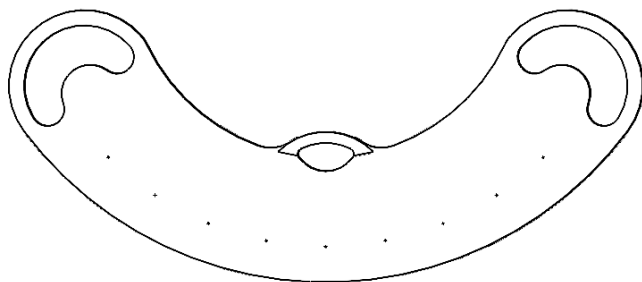
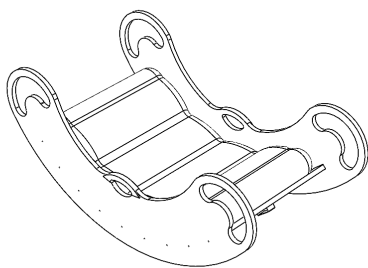
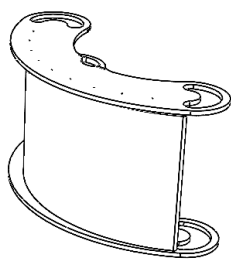
This product is designed for children aged 3+

To maintain hygiene and ensure the longevity of the product, clean the 3-in-1 Rock & Play by wiping it down with a damp cloth. Allow all surfaces to fully dry before the next use to prevent slipping and ensure safe play. Regular cleaning will keep the product in optimal condition for continued use.



# FEATURES

05.



# NOTES

06.







**snoezelen<sup>®</sup>**



Life Changing Sensory Solutions For All

**Rompa<sup>®</sup> Limited, Goyt Side Road,  
Chesterfield, S40 2PH**

**[customer.service@rompa.com](mailto:customer.service@rompa.com)**

**[www.rompa.com](http://www.rompa.com)**

**23657\_240225**