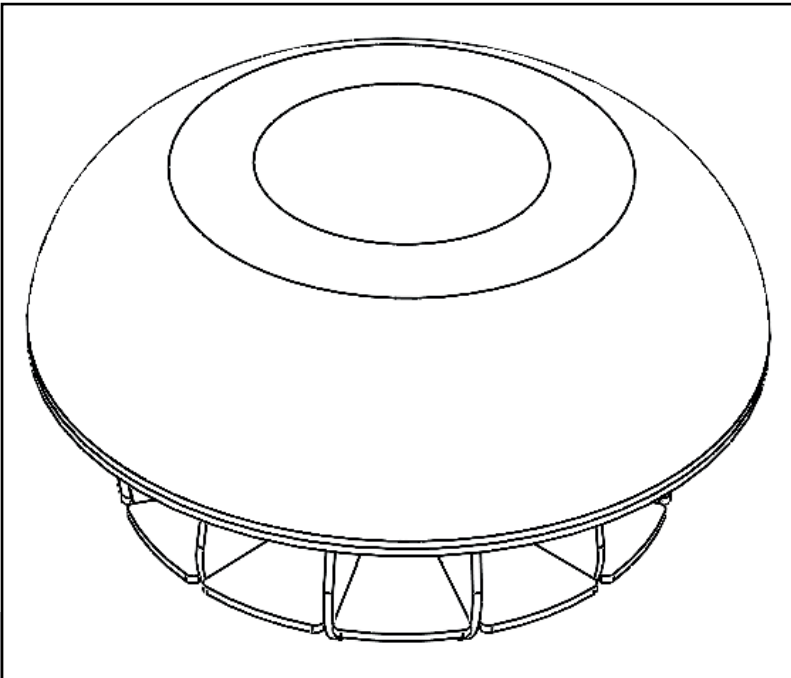




Life Changing Sensory Solutions For All

snoezelen®

INSTRUCTION MANUAL



THE TOADSTOOL

23658

01.

CONTENTS

CONTENTS

ABOUT THE PRODUCT	4
Product Description.....	5
User Benefits	5
Product Compatibility	5
TECHNICAL SPECIFICATION	6
Included Parts.....	7
Technical Specification	7
SAFETY AND CARE.....	8
Product Safety and Care Instructions	9
ASSEMBLY & INSTALLATION GUIDE	10
Product Assembly Guide/Installation.....	11
FEATURES	12
NOTES.....	14

02.

ABOUT THE PRODUCT

Product Description

The ToadStool is a large, mushroom-shaped stool designed to be both functional and visually appealing. Its spacious top provides a comfortable surface for users to sit on or lie down on, while the sturdy construction supports multiple users at once. Beneath the seat, a storage compartment offers convenient space to store sensory products and toys, making it ideal for organising play areas. The stool is covered in a soft faux suede material, offering a pleasant tactile experience that enhances sensory engagement. For added customisation, various material and colour options are available to match different themes and preferences, making the ToadStool a versatile addition to any playroom or sensory space.

User Benefits

- Stimulates touch and vestibular senses: the faux suede cover provides a soothing tactile experience, while the sturdy design offers support for gentle rocking or leaning, engaging both touch and balance.
- Accommodates multiple users: the large seating surface can comfortably seat multiple users at once, making it perfect for group activities and social interaction.
- Built-in storage space: hidden storage underneath offers a practical solution for keeping sensory items and toys neatly organized and easily accessible.
- Enhanced comfort: the cushioned design ensures a comfortable seating or lounging experience, allowing users to relax and enjoy extended play sessions.

TECHNICAL SPECIFICATION

03.

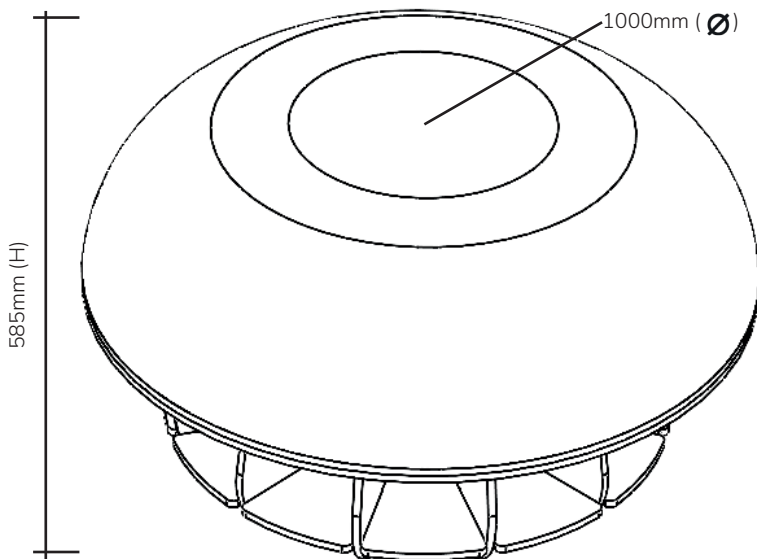
Included Parts

The ToadStool is constructed using high-quality materials to ensure durability and comfort:

1. Foam: the interior features a dense foam structure, providing soft and supportive seating.
2. 12mm birch plywood: a sturdy birch plywood base ensures stability and strength, making the stool reliable for everyday use.
3. Faux suede covering: the outer layer is wrapped in a luxurious faux suede material, offering a smooth, pleasant touch and an appealing aesthetic.

These components combine to create a robust yet comfortable seating solution, perfect for sensory and play environments.

Technical Specification

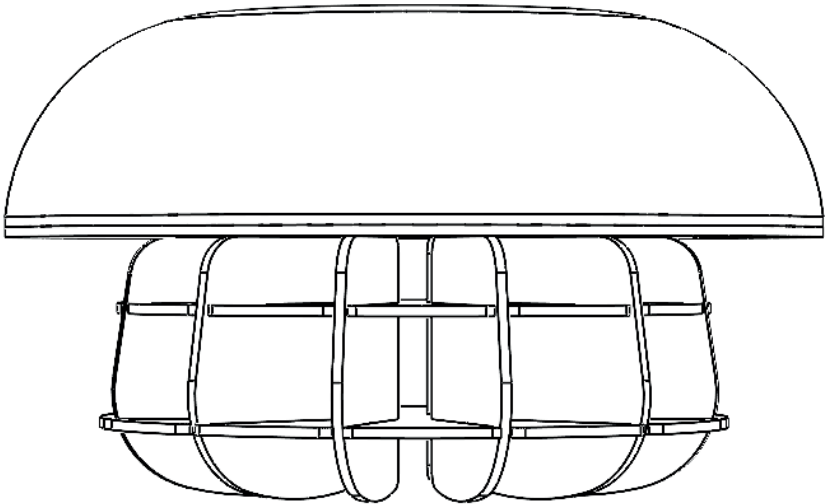


04.

SAFETY AND CARE

Product Safety and Care Instructions

For safe handling, do not attempt to lift the ToadStool alone, as it is a heavy product. Always use two people to lift and move it to prevent injury and ensure safe transportation. Regularly inspect the stool for any signs of wear and clean the faux suede covering with a damp cloth as needed, allowing it to fully dry before use.



ASSEMBLY & INSTALLATION GUIDE

05.

Product Assembly Guide/Installation

To set up the ToadStool, simply place the product in your desired location with the wooden side facing down. Ensure it is positioned on a flat, stable surface to maintain safety and stability during use. No additional assembly is required, making it ready for immediate use.



FEATURES

06.



NOTES

07.

snoezelen[®]



Life Changing Sensory Solutions For All

**Rompa[®] Limited, Goyt Side Road,
Chesterfield, S40 2PH**

customer.service@rompa.com

www.rompa.com

23658_240525