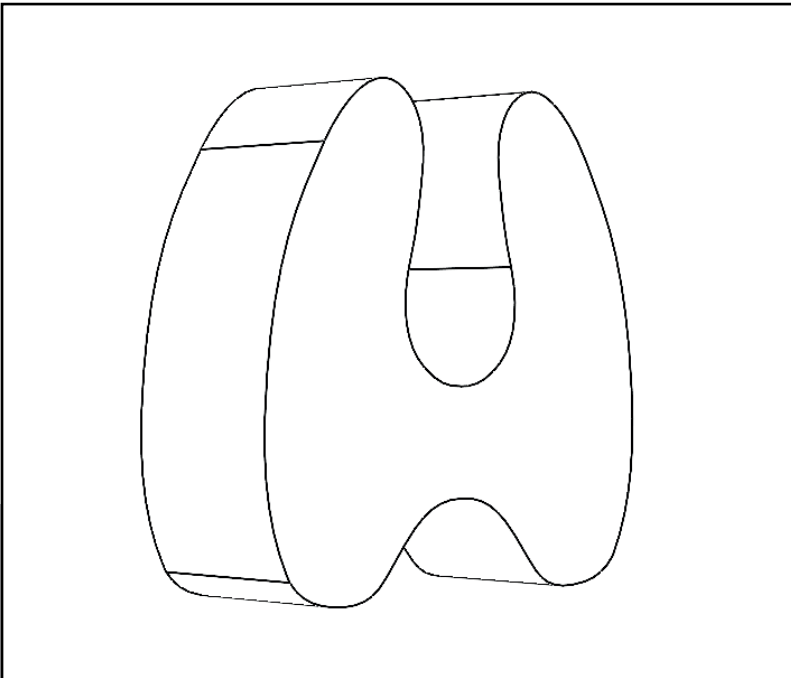




Life Changing Sensory Solutions For All

snoezelen®

# INSTRUCTION MANUAL



**SQUEEZIE SEAT**

**23659**

01.

**CONTENTS**

# CONTENTS

<b>ABOUT THE PRODUCT .....</b>	<b>4</b>
Product Description.....	5
User Benefits .....	5
<b>TECHNICAL SPECIFICATION.....</b>	<b>6</b>
Included Parts.....	7
Technical Specification .....	7
<b>SAFETY AND CARE.....</b>	<b>8</b>
Product Safety and Care Instructions .....	9
<b>FEATURES.....</b>	<b>10</b>
<b>NOTES.....</b>	<b>12</b>

02.

**ABOUT THE PRODUCT**

## **Product Description**

The Squeezeie Seat is a foam chair designed to provide gentle, soothing pressure around the user, creating a calming and secure seating experience. Its contoured shape allows for a comfortable fit, while the slight flexibility of the foam enables users to rock back and forth, promoting movement and sensory regulation. This rocking motion can help improve focus, reduce anxiety, and support self-soothing behaviors, making the Squeezeie Seat an excellent tool for sensory spaces, classrooms, or relaxation areas.

## **User Benefits**

- Stimulates touch: the soft foam material gently hugs the user, providing tactile input that supports sensory regulation and relaxation.
- Promotes focus: the rocking motion helps channel restless energy, enhancing concentration and focus during activities.
- Supports posture: designed to align the user's spine, the Squeezeie Seat encourages better posture, contributing to improved physical comfort and long-term spinal health.

# TECHNICAL SPECIFICATION

03.

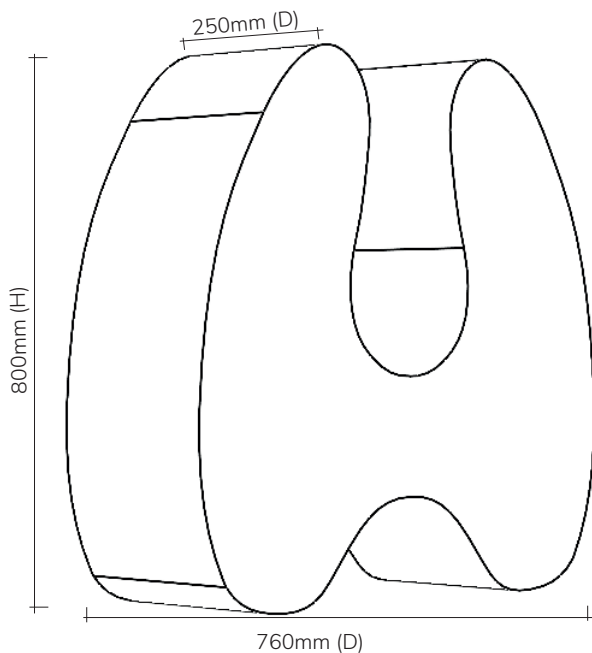
## Included Parts

The Squeezeie Seat is constructed from:

- Foam: the interior is made of high-density foam, providing a soft yet supportive structure that molds comfortably to the user's body.
- PVC covering: the exterior is wrapped in a durable PVC covering, offering a smooth, wipeable surface that is easy to clean and maintain.

These materials combine to create a robust and comfortable seating solution, ideal for sensory and relaxation spaces.

## Technical Specification



04.

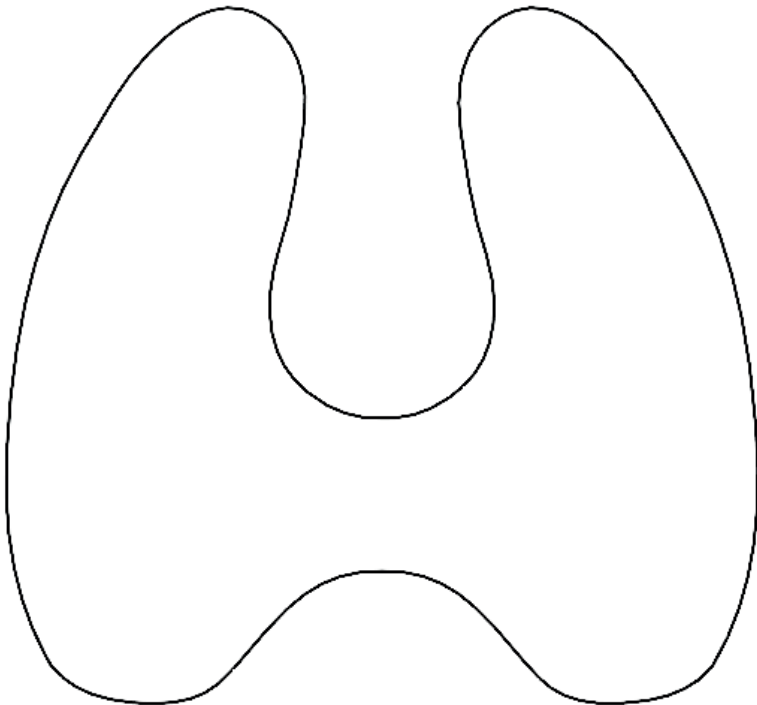
**SAFETY AND CARE**

# Product Safety and Care Instructions

For the safety of all users, the Squeeze Seat should always be used under adult supervision to ensure proper use and support. In the event of soiling, the PVC cover can be easily removed for cleaning via the zip underneath the product. Regularly inspect the chair for any signs of wear or damage, and clean the cover as needed to maintain hygiene and safety.

## PVC:

- Use a soft brush remove all loose dust/dirt. Clean with a mild detergent (such as Lux soap flakes in luke-warm solution) applied to a sponge or damp cloth.
- This may be sanitised using a weak solution of Milton fluid.
- Do not use excessive amounts of water and always ensure the PVC is dry after cleaning.
- Do not use an abrasive cleaning pad.
- Do not use boiling/very hot water, washing up liquid / aggressive detergent or solvent based cleaner as this will cause the coating to discolour and go hard.
- Steam cleaning is not advised.



# FEATURES

05.



# NOTES

06.







**snoezelen<sup>®</sup>**



Life Changing Sensory Solutions For All

**Rompa<sup>®</sup> Limited, Goyt Side Road,  
Chesterfield, S40 2PH**

**[customer.service@rompa.com](mailto:customer.service@rompa.com)**

**[www.rompa.com](http://www.rompa.com)**

**23659\_240225**