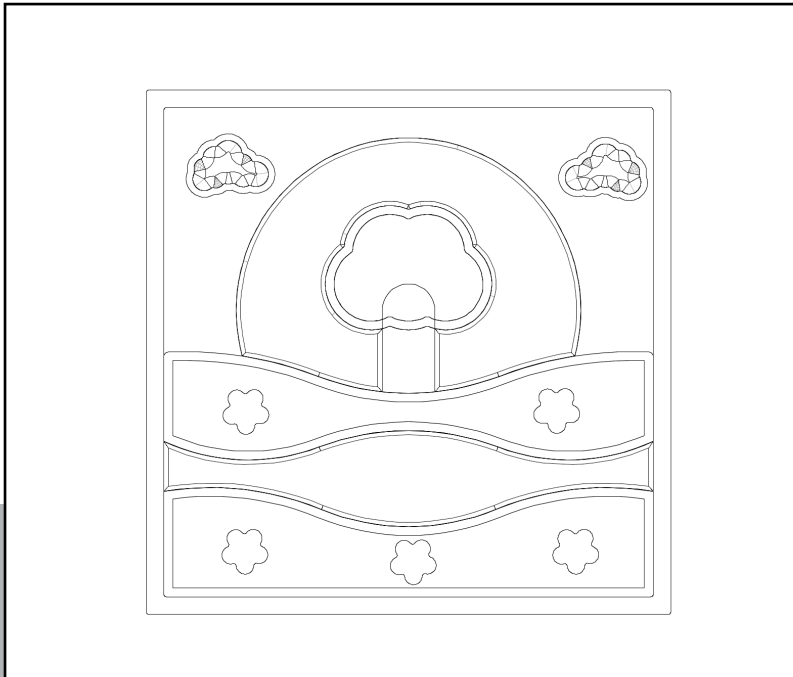




Life Changing Sensory Solutions For All

snoezelen<sup>®</sup>

# INSTRUCTION MANUAL



**SERENCE SCENE TACTILE PANEL**

**23676**

01.

**CONTENTS**

# CONTENTS

<b>ABOUT THE PRODUCT .....</b>	<b>4</b>
Product Description.....	5
User Benefits .....	5
Product Compatibility .....	5
<b>TECHNICAL SPECIFICATION .....</b>	<b>6</b>
Included Parts.....	7
Technical Specification .....	7
<b>SAFETY AND CARE.....</b>	<b>8</b>
Product Safety and Care Instructions .....	9
<b>ASSEMBLY &amp; INSTALLATION GUIDE</b>	<b>12</b>
Product Assembly Guide/Installation.....	13
Troubleshooting.....	14
<b>USER GUIDE .....</b>	<b>16</b>
User Guide.....	17
<b>FEATURES .....</b>	<b>20</b>
<b>NOTES.....</b>	<b>22</b>

02.

**ABOUT THE PRODUCT**

# Product Description

Immerse yourself in a sensory adventure with this tactile panel, designed to depict a vibrant tree in a meadow of flowers. This wall feature invites users to explore a variety of textures, each carefully crafted to stimulate the sense of touch. The tree's bark might feel rough and rugged, while the leaves offer a soft, delicate sensation. The flowers in the meadow could range from smooth petals to bumpy centers, providing a diverse tactile experience.

As users run their hands over the different elements, they can enjoy the contrasting textures and discover the intricate details of the design. This tactile exploration not only enhances sensory awareness but also encourages curiosity and engagement. The panel serves as a beautiful and interactive piece of art, transforming any space into a dynamic environment for sensory development and enjoyment.

# User Benefits

This sensory panel is designed to stimulate both sight and touch, offering a rich, multi-sensory experience. The vibrant colours and intricate designs captivate the eyes, drawing attention and sparking curiosity. Each element of the panel is crafted with different textures, inviting users to explore and engage with their sense of touch. From smooth surfaces to rough patches, the variety of tactile sensations enhances sensory awareness and provides a delightful hands-on experience.

In addition to its sensory benefits, this panel is perfect for theming a room. Its visually appealing design can transform any space into a dynamic and engaging environment. Whether used in a sensory room, classroom, or play area, the panel adds a touch of creativity and whimsy, making the space more inviting and stimulating. It serves as both a functional tool for sensory development and a decorative piece that enhances the overall aesthetic of the room.

# Product Compatibility

The Abstract Tactile Panel is part of a comprehensive panels range, designed to be used alongside other sensory panels for a cohesive and engaging sensory experience. It can be combined with complementary panels to create a fully immersive sensory wall or interactive environment, catering to various sensory needs and preferences. This product can be mounted onto our Panel Porter.

# TECHNICAL SPECIFICATION

03.

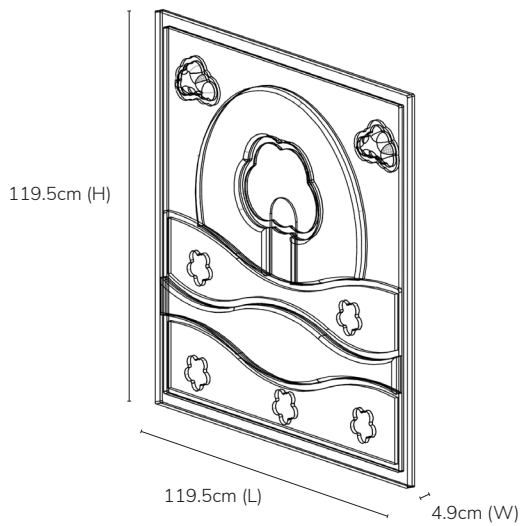
# Included Parts

- 1 x Serence Scene Tactile Panel

# Technical Specification

Product Weight: 24kg

119.5(H)x 119.5(L) x 4.9cm(W)



04.

**SAFETY AND CARE**

# Product Safety and Care Instructions

## **Safety:**

Always supervise users while engaging with the Abstract Tactile Panel to ensure safe and appropriate use.

## **Care and Maintenance:**

To maintain the panel's appearance and longevity, wipe clean using a soft, clean cloth slightly dampened with a mild cleaning product. Avoid using harsh chemicals or excessive moisture to protect the different textures and surfaces. Regular cleaning will keep the panel in optimal condition for ongoing sensory exploration.



# ASSEMBLY & INSTALLATION GUIDE

05.

# Product Assembly Guide/Installation

**IMPORTANT:** Wall-mount this product or mount onto our Panel Porter before use, taking the following points into account:

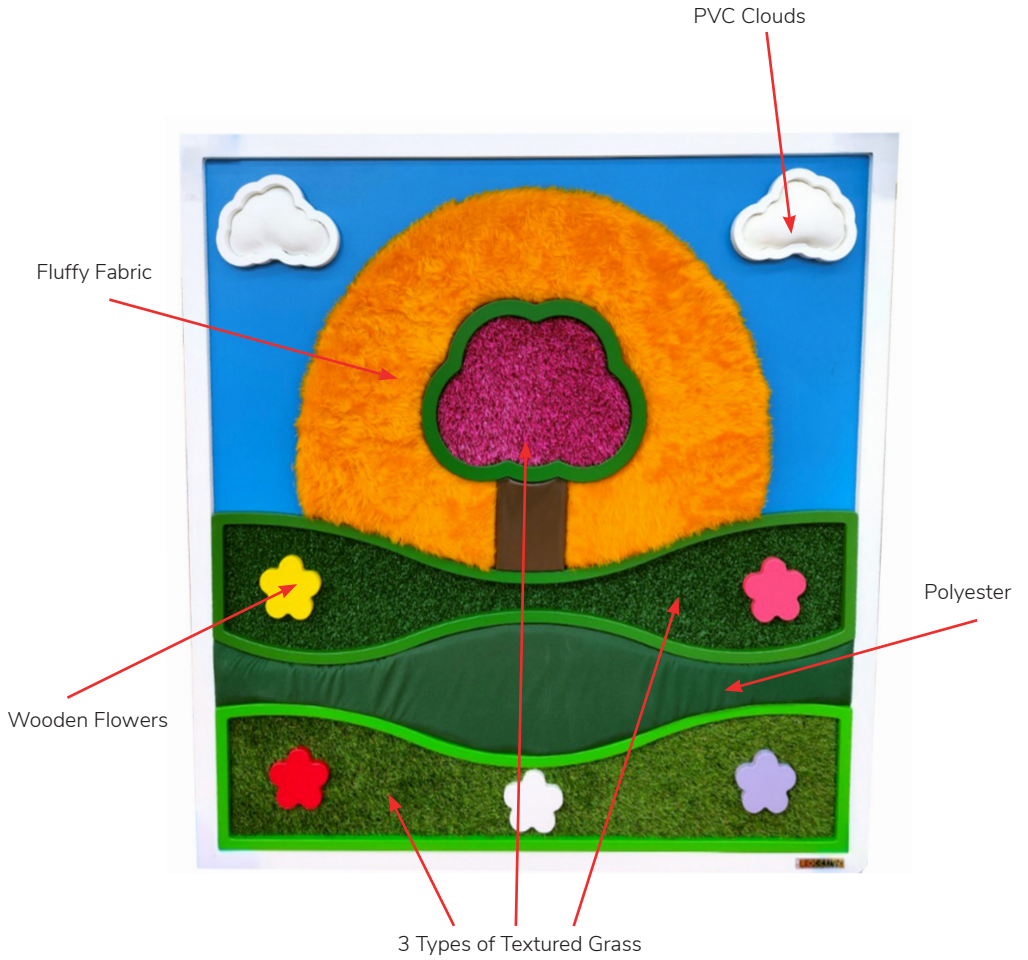
- Purchase and use appropriate fixings: ensure that the fixings are suitable for the type of wall you are mounting the panel on.
- Wall construction: the specific fixings required will depend on the material and construction of your wall (e.g., brick, drywall, wood).
- Weight capacity: the chosen fixings must be capable of securely supporting the weight of the panel, which is approximately 17.5 kg.
- Wall stability: verify that the wall is solid and strong enough to hold the panel without risk of damage or collapse.

**Note:** Proper installation is essential for safe and effective use.



# FEATURES

06.



# NOTES

07.





Life Changing Sensory Solutions For All

**snoezelen<sup>®</sup>**

---

**Rompa<sup>®</sup> Limited, Unit 1-4,  
Carrwood Industrial Estate, Carrwood Road,  
Chesterfield, S41 9QB**

**[customer.service@rompa.com](mailto:customer.service@rompa.com)**

**23676\_12112025**

**[www.rompa.com](http://www.rompa.com)**