

PRODUCT SPECIFICATION SHEET

MicroLED 100P LED Light Source



Rev. C1



Clean white light in a small, silent package, the MicroLED 100P offers constant light output for use where dimming or lighting effects are not required.

A small, silent fibre optic light source powered by LED technology.

Manufactured from durable ABS and supplied as standard in a black finish. White and silver enclosures are available to special order.

This light source utilises a white light LED array and is suitable for use with either glass or PMMA fibre.

GENERAL INFORMATION

Port connector size	30mm diameter
Fibre type	Glass / PMMA
Material/Finish	ABS (black, silver or white)
Dimensions (L x W x H)	132mm (5.2") x 98mm (3.8") x 67mm (2.6")
Weight	0.3kg
Operating Environment	Indoor use - IP20
Min Ambient Temp.	-10°C
Max Ambient Temp.	+45°C

LED ARRAY DATA

LED Array Type	White light
LED Array Power	2W
LED Array Model	Cree XLamp XR-E
LED Array Life (L70, B10)	> 54,400 hours @ 25°C
Warm White Option	3000K \ 80CRI \ 120lm
Neutral White Option	4000K \ 75CRI \ 126lm

ELECTRICAL CHARACTERISTICS

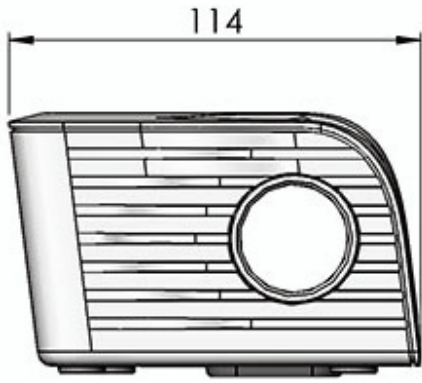
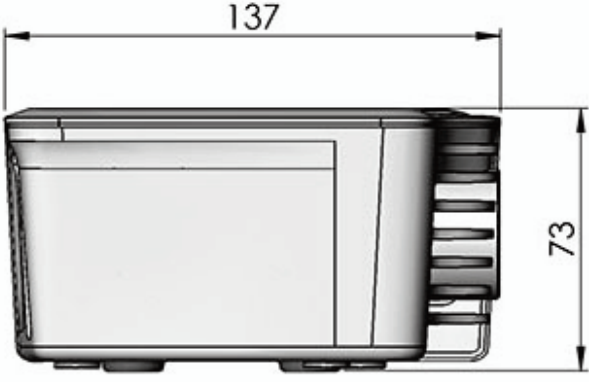
Supply Voltage	90-264Vac
Mains Running Current	0.03A @ 240Vac
Mains Voltage VA rating	8VA
External PSU Type	Power Pax, 12V, 2A, 24W



LIGHT SOURCE PRODUCT CODES

MODEL	COLOUR TEMPERATURE	
UFO MIC100P	Warm White (3000K)	3
	Neutral White (4000K)	4
UFO MIC100P	-	

e.g. UFO MIC100P-3



Universal Fibre Optics Ltd
 Home Place \ Coldstream
 TD12 4DT \ UK
 +44 (0)1890 883416 \ www.ufo.lighting

Universal Fiber Optic Lighting USA LLC
 1749 Northgate Blvd
 Sarasota \ FL34234 \ USA
 941-343-8115 \ www.fiberopticlighting.com

UFO Licht GmbH
 Friendsfactory AG \ Gutenbergstraße 1
 85737 Munchen \ Deutschland
 +49 (0)9491 955880 \ www.ufo-licht.de