

PRODUCT SPECIFICATION SHEET

MicroLED 100PC/PT/PCT LED Light Source



Rev. C1



The perfect solution for creating a twinkling, colourful starry effect.

A range of small, quiet fibre optic light sources powered by LED technology.

Manufactured from durable ABS and supplied as standard in a black finish. White and grey enclosures are available to special order.

This light source range utilises a white light LED array and is suitable for use with either glass or PMMA fibre.

An inbuilt decorative wheel allows for the creation of twinkling and/or colour change effects. These light sources are also dimmable.

Manual control is provided for dimming and varying the effects wheel speed.

GENERAL INFORMATION

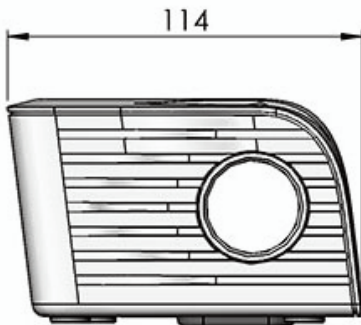
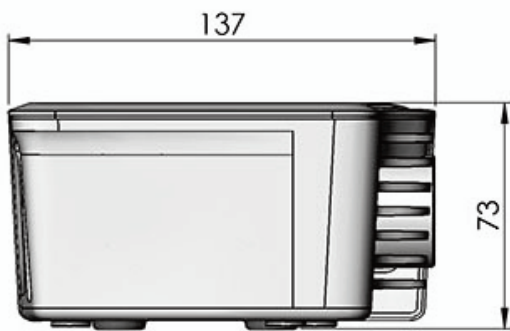
Port connector size	30mm diameter
Fibre type	Glass / PMMA
Material/Finish	ABS (black, silver or white)
Dimensions (L x W x H)	137mm (5.4") x 114mm (4.5") x 73mm (2.9")
Weight	0.4kg
Operating Environment	Indoor use - IP20
Min Ambient Temp.	-10°C
Max Ambient Temp.	+45°C

LIGHTING AND CONTROL INFORMATION

Control Functionality	Push button manual dimming
Colour Change Functionality	Push button manual
Effects Wheels Options & Functionality	Colour (PC), twinkle (PT) or combination of both (PCT) controlled by push button

LED ARRAY DATA

LED Array Type	White light
LED Array Power	2W
LED Array Model	Cree XLamp XR-E
LED Array Life (L70, B10)	> 54,400 hours @ 25°C
Warm White Option	3000K \ 80CRI \ 120lm
Neutral White Option	4000K \ 75CRI \ 126lm



ELECTRICAL CHARACTERISTICS

Supply Voltage	90-264Vac
Mains Running Current	0.38A @ 240Vac
Mains Voltage VA rating	10VA
External PSU Type	Power Pax, 12V, 2A, 24W
Motor Type	12V stepper motor

LIGHT SOURCE PRODUCT CODES

MODEL	EFFECTS	COLOUR TEMPERATURE
UFO MIC100	Colour Change	PC
	Twinkle	PT
	Colour & Twinkle	PCT
UFO MIC100		

e.g. UFO MIC100-PCT-3



Universal Fibre Optics Ltd
Home Place \ Coldstream
TD12 4DT \ UK
+44 (0)1890 883416 \ www.ufo.lighting

Universal Fiber Optic Lighting USA LLC
1749 Northgate Blvd
Sarasota \ FL34234 \ USA
941-343-8115 \ www.fiberopticlighting.com

UFO Licht GmbH
Friendsfactory AG \ Gutenbergstraße 1
85737 Munchen \ Deutschland
+49 (0)9491 955880 \ www.ufo-licht.de