

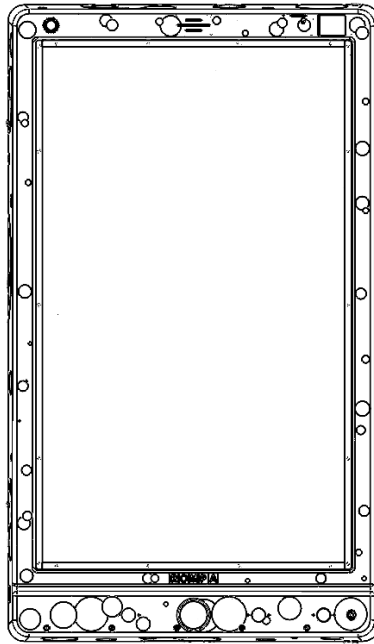


Life Changing Sensory Solutions For All

snoezelen®

# INSTRUCTION MANUAL

EN-US



**SNOEZELEN® FIREWORKS  
EXTRAVAGANZA™**

**24509**

01.

**CONTENTS**

# CONTENTS

<b>ABOUT THE PRODUCT .....</b>	<b>4</b>
Product Description .....	5
User Benefits .....	5
Product Compatibility .....	5
<b>TECHNICAL SPECIFICATION .....</b>	<b>6</b>
Included Parts.....	7
Technical Specification .....	7
<b>SAFETY AND CARE.....</b>	<b>8</b>
Product Safety and Care Instructions .....	9
<b>ASSEMBLY &amp; INSTALLATION GUIDE</b>	<b>11</b>
Product Assembly Guide/Installation.....	11
Troubleshooting.....	15
<b>USER GUIDE .....</b>	<b>17</b>
<b>NOTES.....</b>	<b>25</b>

02.

**ABOUT THE PRODUCT**

## Product Description

Create amazing displays by selecting from a number of patterns, colours and speeds each paired to sound effects. Rompa® appreciates that for some user's fireworks could be associated with being 'too loud and/ or over stimulating'. As a result, this panel offers a number of different sound effect themes for a more relaxing and varied sensory experience, for example water or carnival sounds.

## User Benefits

This activity fosters engagement and interaction, encouraging participants to develop social skills and enjoy collaborative play. It enhances memory skills by challenging players to recall and match items, boosting cognitive function. The task also improves hand-eye coordination as participants handle objects with precision, refining their motor skills. Additionally, it supports colour recognition, helping individuals identify and differentiate hues, which is crucial for visual development. Lastly, it introduces the concept of cause and effect, allowing players to understand how their actions lead to specific outcomes, fostering critical thinking and problem-solving abilities.

## Product Compatibility

20848 / 21098 Sensory Magic® 2 Panel / Sensory Magic® 2 Portable  
23717 / 23725 Sensory Magic® 3 Compact / Sensory Magic® Compact Plus  
19847 Deluxe 8 Colour Wirefree Controller  
21006 8-Colour Wirefree Switch  
18870 Talking Cube  
20402 Mini Talking Cube  
24515 Colour Command Centre™  
21918 Wi-Fi Override Transmitter  
21728 Wi-Fi App Control Box  
22867 Wireless Colour Controller Cushion Wall Mat  
22716 Wi-Fi Colour Control Bumpas – set of 8

# TECHNICAL SPECIFICATION

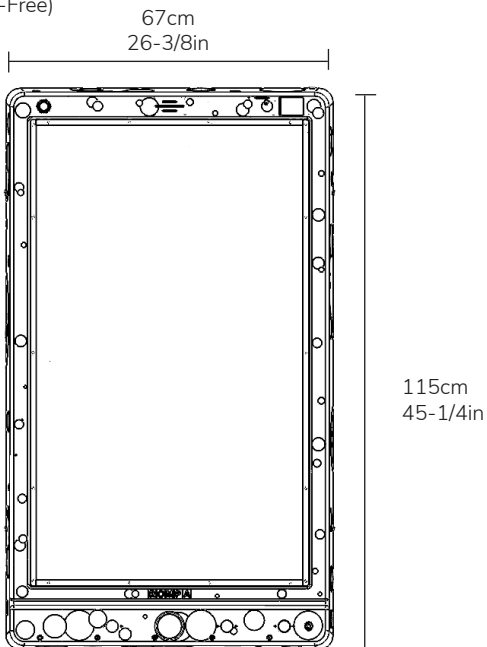
03.

# Included Parts

- 1x Fireworks Extravaganza™ Panel
- 2x Wall Mounting Bracket
- 4x M4 Screws
- 1x UK Mains Lead
- 1x US Mains Lead
- 1x EU Mains Lead
- 1x Mounting Template (for use during installation)

# Technical Specification

- Weight: 13.5kg  
30lbs
- Dimensions: 115H x 67W x 10cm  
26-3/8W x 4D x 45-1/4H in
- Input: 100-240V 50/60Hz
- Output: 5V DC 10A
- Shell material: ABS (Phthalate-Free)



04.

**SAFETY AND CARE**

# Product Safety and Care Instructions

## Operation

- The Panel must always be used under supervision.
- Do not strike the panel. The panel is built robustly, but intentional misuse will shorten its lifespan.
- Do not open, dismantle, or attempt to repair the panel yourself. This may cause injury and will invalidate the warranty.
- Disconnect any cables when installing or moving the product. Pulling of the cables can cause premature wear or damage to the product and/or accessories.
- If the product generates abnormal sounds, a burning smell, or smoke, disconnect immediately and contact Rompa® customer services.
- Do not press and hold the panel push buttons for durations of longer than a minute. Over time this may reduce the life expectancy of the product.

## Care and maintenance

To prolong its product life, please read the following instructions when installing and operating this panel:

- When installing please ensure to keep the layer of protective film on the screen until the whole panel is fully mounted and is ready for use.
- Ensure no sharp tools or objects are near to the screen.
- Rompa® recommends using a soft microfibre cloth for cleaning and dusting. Doing so optimises the finish and will prevent scratches onto the screen.
- Slight dampening of the cloth, or use of isopropyl alcohol is recommended for more stubborn stains. Ensure the panel does not become wet.
- Particular care should be taken around apertures in the chassis and any electronics (touch screen, power button, illuminated push buttons, external switch jacks and microphone input jack).
- Avoid food or drinks near this panel.
- Do not attempt to physically damage the product including the electronics, screen and buttons.
- Ensure loose wires are out of sight.
- At the end of the product's life, please dispose of it ethically. Recycle wherever local facilities exist.

# ASSEMBLY & INSTALLATION GUIDE

05.

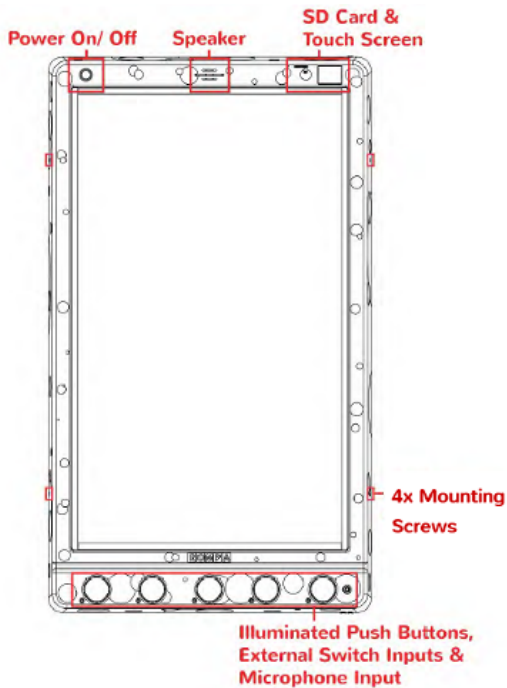
## Installing Wall Bracket & Panel

Ensure that, after installation, the mains plug and/or power switch for the panel is easily accessible to facilitate removal of power. Due to the size of the product, it is recommended that two people install the product.

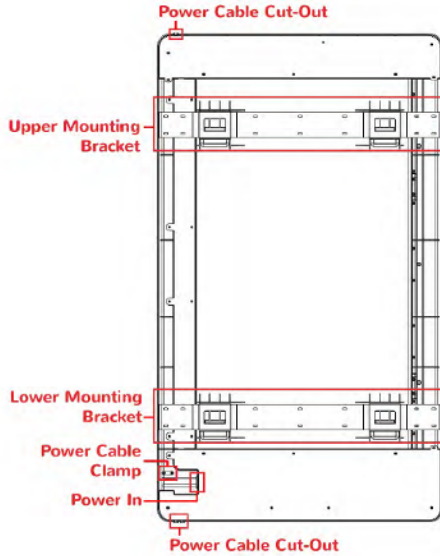
### Recommended tools

- Drill
- Spirit level
- Pencil
- Tape measure
- Appropriate fixings (e.g., screws, wall plugs, etc.)

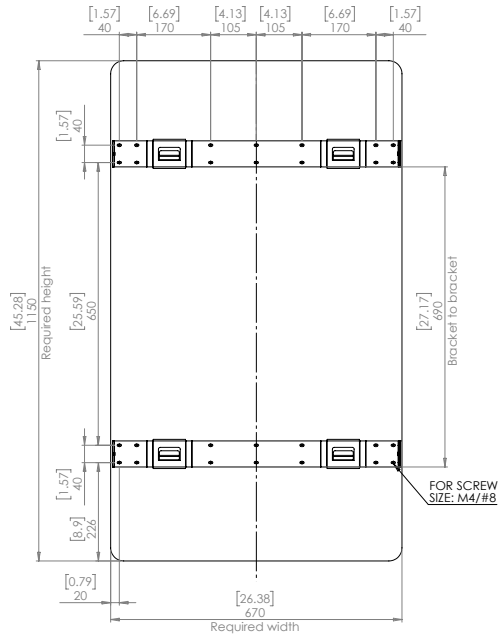
### Panel Overview (Front)

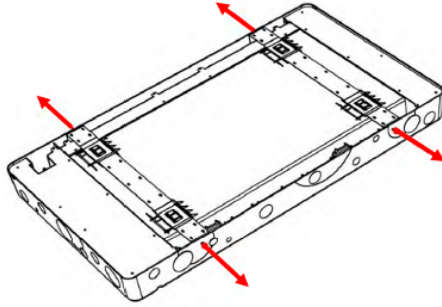


## Panel Overview (Rear)

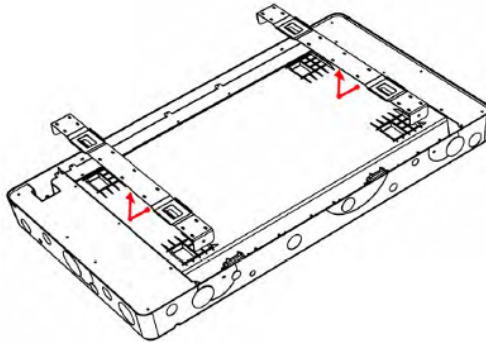


## Mounting Dimensions mm [in]





1. Prepare a soft, padded, level surface, such as a quilt or rug. Carefully lay the panel face down.
2. The wall brackets are secured from the factory to prevent damage during transit. Locate and remove the 4x M4 screws on the sides of the panel (as per the arrows above) securing the 2x brackets in place. Place the screws in a safe place, as they will be required later.
3. Remove both brackets from the panel by sliding them down and lifting them out. Place the brackets safely to one side, as they will be required later.



4. Unfold the paper mounting template. This 1-1 scale drawing is an accurate mounting guide. Position and affix it to the wall in the desired location, ensuring it is completely flat and level. If you use a tape, such as masking / painter's tape, please ensure it will not damage your wall. Once in place, this guide shows you where you will need to mount the brackets relative to the unit, and where you will need to drill into the wall. You can use it to mark the wall, or you can drill directly through the template. Once you have completed this task, we recommend that you carefully refold the paper template and retain it for future reference.

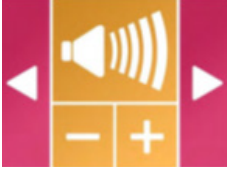
If you don't wish to use the paper template, the graphic on the previous page shows the exact measurements you will need.

5. Secure both brackets to the wall according to the the marks on the paper template. Please note that fasteners are not supplied, and must be purchased separately. Please ensure the correct fasteners are used dependant on the construction of the wall. Due to the wide range of wall construction types, we recommend consulting a skilled professional to identify the best type of fixing for each installation.
6. Clean the wall and brackets of any dust and debris which may have been created during mounting. They will be inaccessible once you move beyond this step.
7. With the panel still laying face down, plug in the power cable and any other controller cables, route them through the power cable clamp and power cable cut out. Tighten up the cable clamp to secure the cables.
8. With the help of an assistant, carefully lift the panel and locate it on the wall brackets. To do this, have the panel slightly higher than its final resting position. Ensure the trailing cables remain clear of any obstruction during the lift. When you feel the panel has located into the bracket, gradually lower the panel into position. Once correctly in position, the panel will hang from the brackets under its own weight. It will sit flush against the wall, and the brackets will now be fully concealed. Check the cables are not caught up behind the panel.
9. Reinstall the 4x M4 screws into the mounting bracket holes on the sides of the unit, to prevent the panel being lifted off the brackets. It will now be firmly in place.
10. Plan your cable routing so as not to cause a hazard. It is advisable to conceal any cable to protect it from damage, eg. using conduit. Consult a qualified electrician if you are unsure of best practice.
11. Your panel is now ready to be connected and switched on.

## Troubleshooting

### No Sound or Low Volume

- Ensure volume is on and turned up to a sufficient level via the touch screen.
- To do this press use the arrows on the touch screen to navigate to the sound menu, select the '+' icon to increase the volume.
- The speaker icon is turned all the way up when the icon looks the same as it is seen below:



If this still does improve there being no sound or the sound not being loud enough, try the following steps:

- Turn the panel off and wait 10 seconds.
- Turn the panel back on.

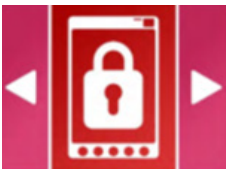
This will reset the panel settings and revert the sound to volume 2 and Sound Effects set to on.

### Frozen or Unresponsive

- Turn the panel off and wait 10 seconds.
- Turn the panel back on. This will reset the panel and revert the 1st mode shown on Touch Screen.

### Push Button(s) Unresponsive

- Ensure panel buttons are not locked via the touch screen.
- To do this press the arrows on the touch screen until you are on the panel lock menu:



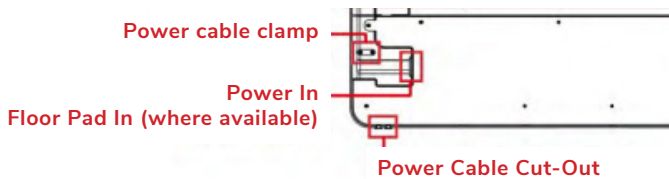
- Pressing the red lock button will lock and unlock the illuminated push buttons.
- When locked (as seen in the image above) the push buttons will dim and be unresponsive.

### External Switch Unresponsive

- Ensure the switch inlet is clear of any dust or debris.
- Ensure the switch is fully inserted into the inlet.
- Ensure panel buttons are not locked via the touch screen.
- Turn the panel off and wait 10 seconds.
- Turn the panel back on. This will reset the panel settings and revert the panel buttons to unlock.

### No Power

- Ensure the mains power is disconnected from the panel before then checking the IEC power cable (kettle lead) is connected into the bottom of the panel and is fully inserted into the panel.
- Then turn the mains back on.
- If the IEC cable is securely in place and there is still no power to the panel, then ensure that the plugs fuse has not blown and replace if required.
- The IEC power cable plugs into the panel as illustrated by the line with the Power In (and on selected products, Floor Pad In) text next to it:



If troubleshooting does not solve the issue please contact Rompa® Customer Services  
+44 (0) 1246 211 777

08.

**USER GUIDE**

## Modes Overview

The mode controls how the panel behaves. The Fireworks Extravaganza™ has 2 modes which can be selected via the touchscreen and an additional mode when a microphone is plugged into the ¼”/6.35mm microphone input:

Mode 1: Interactive. The panel does not change current pattern, colour or speed unless told to do so via the illuminated push buttons.

Mode 2: Relax (Passive). The panel scrolls through patterns and colours. The panel changes state after 1 minute of inactivity. The panel can be used as normal in this mode.

## Microphone Mode

This mode cannot be accessed via the touch screen. To access this mode plug a microphone into the ¼”/6.35mm microphone input. The panel will automatically change to microphone mode once a microphone has been detected. The mode and brightness of the panel cannot be adjusted via the touchscreen whilst a microphone is plugged in.

The brightness of the panel is controlled by the volume of sounds made. The louder the sound the brighter the panel will go. The panel also detects sounds via its on-board microphone so sounds do not have to be made directly into the microphone. This allows multiple users to play simultaneously.

## Touch Screen

The touch screen is intended for the supervisor of the session not the primary user of the panel. The touch screen allows you to control in detail how the panel behaves as well as view statistics of panel usage.

Upon booting the panel up it will revert to its default settings:

Mode 1: Interactive

Volume: 2

Touch Screen Brightness: 100%

Panel Brightness: 100%

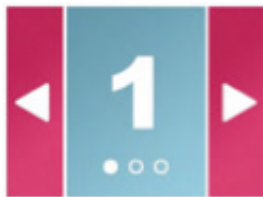
Sound Effects: On

WiFi: On

Lock: Off

### Mode 1: Interactive

- Volume: 2
- Touch Screen Brightness: 100%
- Panel Brightness: 100%
- Sound Effects: On
- Wi-Fi: On
- Lock: Off



### Mode

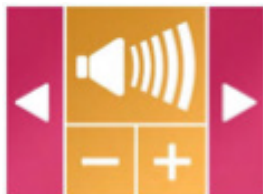
- Press the light blue mode button to cycle through the modes of the panel.
- Press the red forward or back buttons to cycle through the other menu options.



### Media\*

- Press the 'play/ pause' button to play or pause music. Press the 'skip forward' to play the next track or 'skip back' to play the previous.
- Press the red forward or back buttons to cycle through the other menu options.

\* This functionality may only be available when an SD card has been inserted.



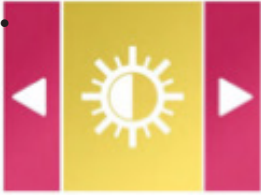
### Volume

- Pressing the '+' will increase the volume and pressing '-' will reduce the volume.
- Press the red forward or back buttons to cycle through the other menu options.



### Sound Effects

- Pressing the light green sound effect button will turn the sound effects on or off. Sound effect refers to the sounds made when the user activates the illuminated push buttons.
- Press the red forward or back buttons to cycle through the other menu options.



### Touch Screen Brightness

- Pressing the yellow screen brightness button will cycle the panel through 6 levels of brightness to 100%. Press the red forward or back buttons to cycle through the other menu options.



### Panel Brightness

- Pressing the turquoise screen brightness button will cycle the touch screen through 3 levels of brightness to 100%.
- Press the red forward or back buttons to cycle through the other menu options.



### Lock

Pressing the red lock button will lock and unlock the illuminated push buttons. When locked the push buttons will dim and be unresponsive. Press the red forward or back buttons to cycle through the other menu options.



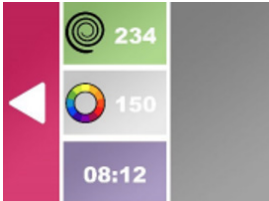
### Wireless

Pressing the purple wireless button will cycle the panel wireless on or off. With wireless turned on the panel will respond to other Rompa® compatible wireless products. With wireless turned off it will ignore Rompa® compatible wireless products. Press the red forward or back buttons to cycle through the other menu options.



### Stats

- Pressing the blue stats button will open the stats screen.
- From the stats screen you can see in real time the amount of button presses that have been made on the panel and the duration the panel has been used for.



To return to the main menu press the Red backward button

Press the red forward or back buttons to cycle through the other menu options.

### Illuminated Push Buttons

The Fireworks Extravaganza™ has 5 illuminated push buttons so the user can control the visual and audio effects the panel produces. When pressed each button will flash and a unique sound effect will be triggered. Sound effects can be turned off via the touch screen. Illuminated buttons can also be locked via the touch screen if required. The brightness of the illuminated buttons is reduced, and the buttons are unresponsive when locked.



#### Pattern

The panel has 5 patterns which can be selected via the 'Pattern' illuminated push button or an external switch plugged into the 'Pattern' input jack.



#### Sound Effect

The panel has 6 sound themes which can be selected via the 'Sound Effect' illuminated push button or an external switch plugged into the 'Sound Effect' input jack. Each theme pairs sound effects with the on-screen patterns.



#### Colour

The panel has 11 colours which can be selected via the 'Colour' illuminated push button or an external switch plugged into the 'Colour' input jack.



### Play/ Pause

The panel has can be paused or resumed via the 'Play/ Pause' illuminated push button or an external switch plugged into the 'Play/ Pause' input jack. A different sound effect is associated with play and pause.

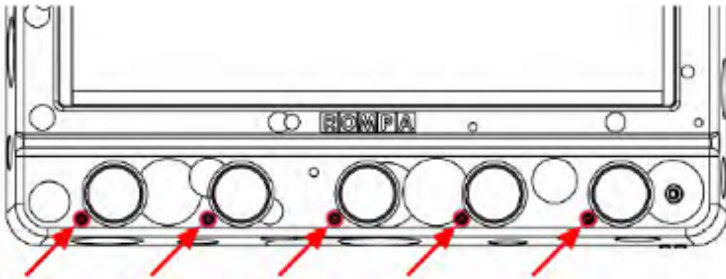


### Speed

The panel has 3 speeds which can be selected via the 'Speed' illuminated push button or an external switch plugged into the 'Speed' input jack. A different sound effect is associated with slow, medium and fast.

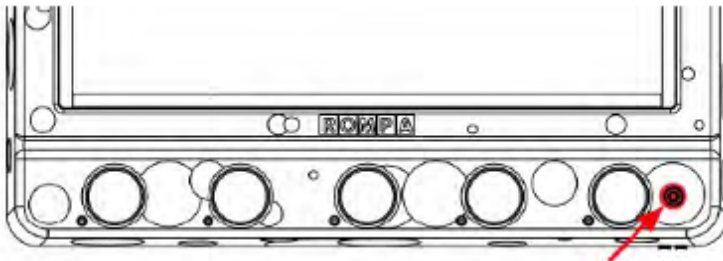
## External Switches

The panel has 5 external switch inputs each located underneath their associated illuminated push button. To connect the external switch simply plug into the  $\frac{1}{4}$ "/6.35mm jack and remove when finished (external switches without a  $\frac{1}{4}$ "/6.35mm jack may need an adapter fitting).



## Microphone Input

The panel has 1 microphone input. To use a microphone with the panel simply plug a microphone into the  $\frac{1}{4}$ "/6.35mm jack located in the bottom right of the panel. When the microphone is inserted, the panel will automatically detect its presence and turn to 'Microphone Mode'. The panel also acts as a karaoke and sounds spoken through the microphone can be heard through the integrated speaker. Simply remove the microphone from the panel when finished and the panel will automatically revert back to its previous mode.



## **Patterns, Sound Effects and Colours**

### **Patterns**

1. **Strobe** A trail of LEDs light up to the centre of the panel mimicking the fireworks ascent. LEDs spread from the centre outwards leaving trails of light.
2. **Catherine Wheel** Mimics a Catherine wheel firework with a number of different effects.
3. **Willow** A trail of LEDs light up to the centre of the panel mimicking the fireworks ascent. LEDs spread from the centre outwards leaving trails of light. Trail of LEDs fades out in a random fashion.
4. **Comet** LEDs races across the panel from one corner to the opposite mimicking comets flying across the sky. 'Comets' travel in multiple directions and multiple 'comets' can be on the screen at any given time.
5. **Falling Stars** Randomly glowing LEDs gradually fill the screen to create mimic a starry sky.

### **Sound Effects**

1. Fireworks
2. Fun Fair
3. Music
4. Space
5. Water
6. No Sound

### **Colour**

1. Multi-Coloured (LEDs are multi-coloured)
2. All Colours Soft Fade (LEDs transition through colours)
3. All Colours Hard Fade (LEDs hard transition through colours)
4. Red
5. Green
6. Blue
7. Yellow
8. Orange
9. Pink
10. Purple
11. White

### **Rompa® Wireless Operation**

The Fireworks Extravaganza™ is compatible with a range of Rompa® wireless products (see Compatible Rompa® Products):

### **8 Colour Wirefree Controller Simple and Deluxe**

Pressing the colour buttons turns the all the LEDs in array the corresponding colour selected. The panel will remain this colour unless a new colour is selected via the panel or a Rompa® wireless

controller or the panel is in a passive mode where it continues cycling through colours and patterns after 60 seconds.

Pressing the central 'function button' acts as pressing the pattern button on the panel. Pressing the function button multiple times allows the user to cycle through all 5 of the panel's patterns.

### **Other Wireless Products**

Selecting a colour turns the all the LEDs in array the corresponding colour selected. The panel will remain this colour unless a new colour is selected via the panel or a Rompa® wireless controller or the panel is in a passive mode where it continues cycling through colours and patterns after 60 seconds.

07.

**NOTES**





**snoezelen<sup>®</sup>**



Life Changing Sensory Solutions For All

**Rompa<sup>®</sup> Limited**  
**Unit 1-4 Carrwood Industrial Estate,**  
**Carrwood Road, Chesterfield, S41 9QB**

**[customer.service@rompa.com](mailto:customer.service@rompa.com)**

**[www.rompa.com](http://www.rompa.com)**

**24509\_EN-US\_01122025**